

**CABLE GLANDS  
&  
ACCESSORIES**



**2012**  
PRODUCTS CATALOGUE

Polyamide  
Halogen free  
V2 - V0

Permanent operational time - 30 °C to + 80 °C  
Short term operational time + 150 °C

Head piece resistant to high temperature and compression

Yüksek ısı ve darbe dayanımlı kapak

360° equal clamping range in every point

Her noktadan eşit 360° sıkma özelliği

Connection thread norm  
PG DIN 40430 / Metric EN 60423

Bağlantı diş normu  
PG DIN 40430 / Metrik EN 60423

%30 glass fiber reinforced lock nut that resistant to high temperature and compression

%30 cam elyaf katkılı ısı ve darbe dayanımlı altı köşe somun

Locking system that prevents slackening in vibrational areas

Vibrasyonlu ortamlarda gevşeme önleyici kilitleme sistem

TPV rubber seal  
IP 68

UV  
TPV kauçuk conta  
IP 68 (su - toz geçirmez) sızdırmazlık özelliği  
UV ultraviyole ışınlaraya dayanımlı

Body part resistant to high temperature and compression

Yüksek ısı ve darbe dayanımlı gövde

There is a slick ground that prevents hanging on of cables

Kablo geçiş esnasında takılma önleyici kaygan zemin

Roughing surface that prevents gliding

Kaymayı önleyici kumlamalı yüzey

“R

RIGHT PROTECTION BEGINS  
WITH USAGE OF RIGHT EQUIPMENT”



since 1969  
**ORTAC®**

## Company Profile

Ortaclar have been serving in the plastic and moulding sector since 1969 with improving itself day by day. Ortaclar steadfast in its commitment to providing specialized solutions for electrical applications, machinery and automation sector. The mould designing of all our products are made by us.

Ortaclar is a completely integrated facility that has 20 plastic injection units, 3 vertical injection units, extruder and pvc covering machines, test laboratories, cnc bench lathes, metal processing machines and mould section. It owns the required technology and an experienced ISO 9001:2008 Quality Management System minded staff to meet all requirements of customers in the fastest way. Our company has become one of the well known companies in this field by its high quality meeting dead lines, business operation system and the price policy.

Our mission is to check our product at each production process with principles of particularity phase through the customer eyes before delivery in order to ensure 100% customer satisfaction.

Our vision; to offer our 40 years experience in the plastic sector for hundreds of year to our customers and to widen our product range based on unconditional customer satisfaction and requirements.

## Firma Profili

1969 senesinden bu yana plastik ve kalıp sektöründe hizmet veren Ortaclar, elektrik, makine ve otomasyon sektörü üzerine kendisine günden güne geliştirerek sektördeki yerini almıştır. İmal ettiğimiz tüm ürünlerin kalıp tasarımı ve üretimi firmamız tarafından yapılmaktadır.

Ortaclar bünyesindeki 20 adet plastik enjeksiyon, 3 adet dik enjeksiyon, extruder ve pvc kaplama makineleri, test laboratuvarı, cnc tezgahları, metal işlem makineleri ve kalıphanesi ile tam entegre bir tesis olup ISO 9001:2008 Kalite Yönetim Sistem mantığını benimsemiş deneyimli kadrosuyla siz değerli müşterilerimizden gelebilecek bütün talepleri en hızlı şekilde karşılayabilecek teknolojiye sahiptir. Ortaclar yüksek kalite, zaman, iş ciddiyeti ve fiyat politikası gibi özelliklerin birleşmesiyle kısa zamanda kendi alanında yaptığı imalatla başta gelen başarılı firmalar arasında yerini almıştır.

Misyonumuz; %100 müşteri memnuniyeti sağlamak için titizlik prensibiyle üretimin her aşamasında ürünümüzü kontrol ederek tedarikçimize sorunsuz ulaşmasını sağlamaktır.

Vizyonumuz; sektöründeki 40 yıllık tecrübemizi yüz yıllar boyunca siz değerli müşterilerimize sunabilmek ve kayıtsız şartsız müşteri memnuniyeti ve istekleri doğrultusunda ürün yelpazesini genişletmektir.



**Firma kurucumuz Mehmet Ortaç  
1980'den bir kare...**

*Mehmet Ortaç who is the founder of Ortaç Cable Glands & Accessories.  
The picture was taken in 1980...*



**Yatay CNC torna tezgahı**

*Horizontal CNC Lathe*



**Enjeksiyon Makineleri**

*Injection Moulding*

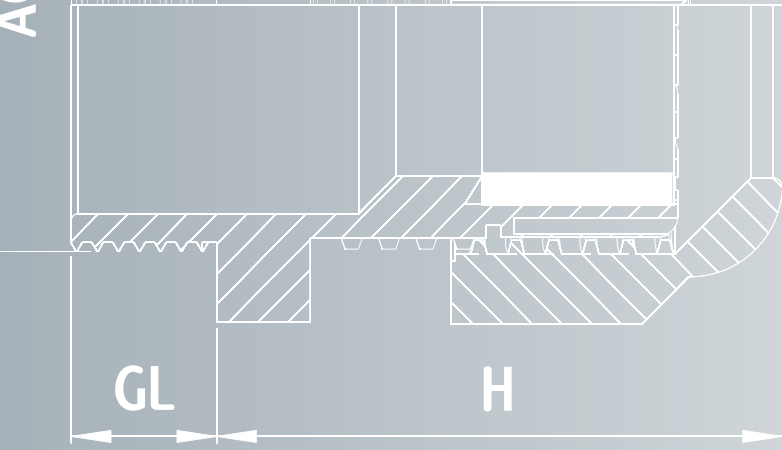


**Kalite Kontrol Test Aşaması**

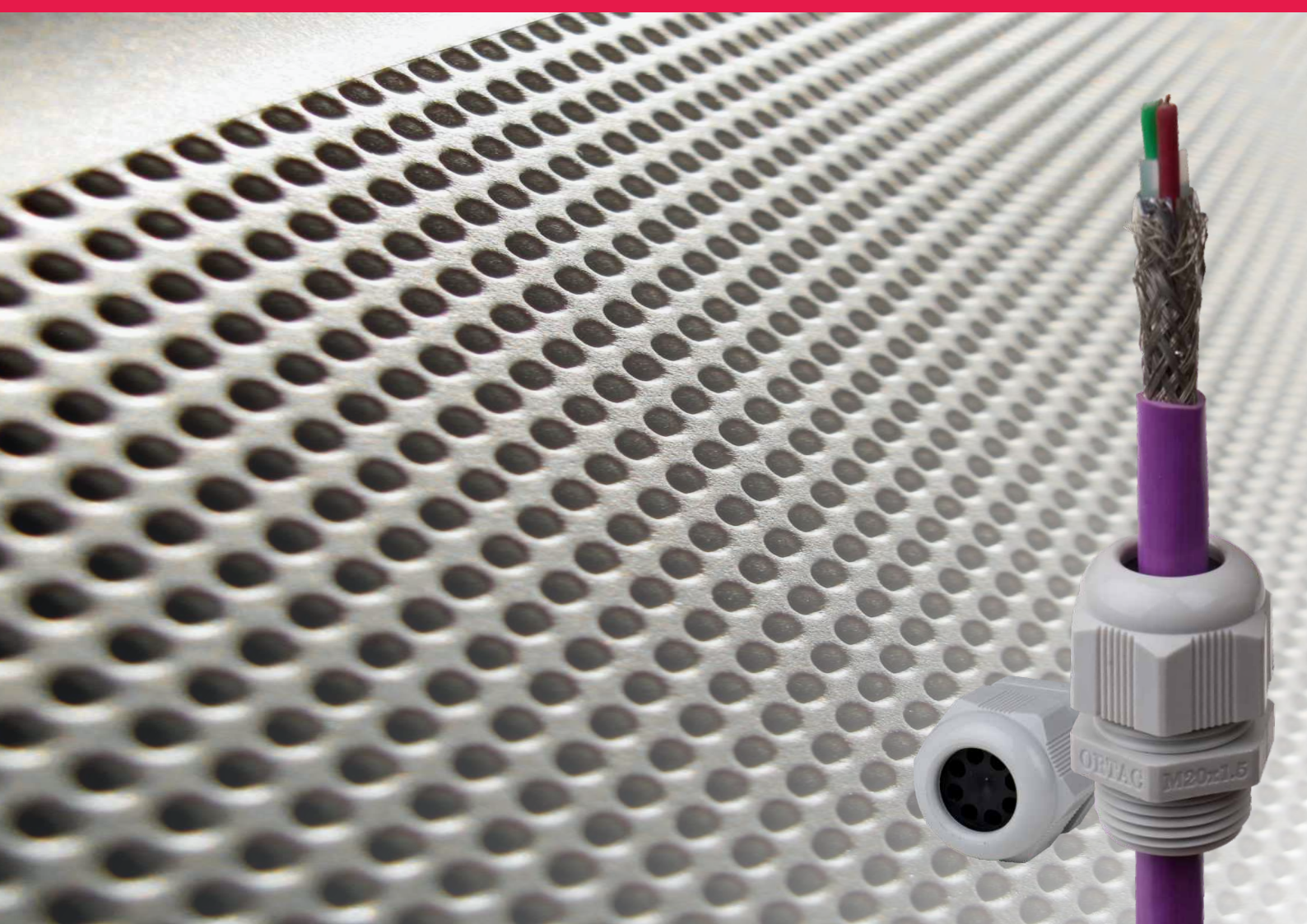
*Quality Control Test Process*

## Index

<b>Contents</b>	<b>Page</b>	<b>Contents</b>	<b>Page</b>
<b>Plastic Cable Glands &amp; Accessories</b>		<b>Spiral Conduits &amp; Fittings System</b>	
Standard type Metric - PG .....	4-5	Polyamide conduit .....	42
Standard type PA V0 - UL 94 .....	6	Polypropylene conduit .....	43
Standard type closed seal .....	7	Polyamide conduit - split type .....	44
Multihole - Flathole .....	8-9	Polypropylene conduit - split type .....	45
Eurometric - Reduced .....	10	Polyamide conduit V0 .....	46
Spiral type Metric - PG .....	11-12	PVC conduit .....	47
Flat type .....	13	PA & PP conduits fittings .....	48-49
Flat type - closed seal.....	14	90° elbow fitting .....	50
Blind stops.....	15	PA & PP conduits spiral fitting with cable holder .....	51
Hexagonal lock nuts .....	16	Polyamide clip .....	52
Hexagonal with collar lock nuts.....	17	PVC conduits fittings .....	53
Protection accessories .....	18	Metal conduit .....	54
<b>Metal Cable Glands &amp; Accessories</b>		PVC coated metal conduit .....	55
Standard type Metric - PG .....	20-21	Heavyweight metal conduit .....	56
Long type - Special long .....	22	TPV coated metal conduit .....	57
Stainless Steel .....	23	Steel wire over braiding conduit .....	58
EMC type .....	24	Steel wire over braiding & PVC coated conduit .....	59
Silicone seal .....	25	Liquid tight fixed - swivel conduit glands .....	60
Multihole .....	26-27	Fixed - swivel conduit glands .....	61-62
IP68 special size.....	28	<b>Other Products</b>	
Spiral type .....	29	Terminals .....	64
Flat type .....	30	Electrical motor accessories .....	65
Nozzle A2(for armoured cable) .....	31	Din rails .....	66
Flat type with traction relief .....	32	IP protection class .....	67
E1W type .....	33	<b>Certificates</b> .....	
CW type .....	34	68	
BW type .....	35		
Blind stops .....	36		
Lock nuts .....	37		
Reducers .....	38		
Enlargers .....	39		
Adapters .....	40		



## PLASTIC CABLE GLANDS & ACCESSORIES



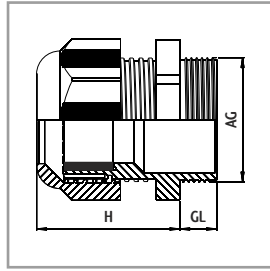
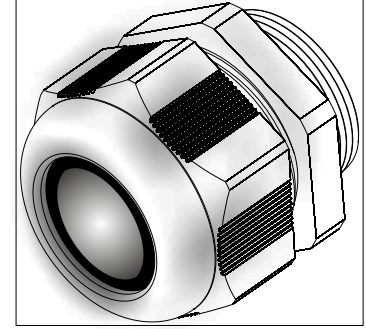


## ORTAC PLASTIC CABLE GLANDS SERIES

Plastic series are separated from other cable glands due to the following characteristics;

- Polyamide raw material
- High heat and impact resistance
- Anti lock system provides superior antivibration protection
- TPV rubber seal
- Resistance to Ultraviolet rays
- Ensures a firm grip on the cable that each point equal to 360°
- Connection thread norm (EN 60423)
- Slippery surface for easy cable access
- IP68 protection class
- Permanent heat resistance -30 °C +80 °C
- Short term temperature range +150 °C
- Halogen free (not contain poisonous gas)
- According to EN 50262

## POLYAMIDE CABLE GLANDS STANDARD TYPE



### ETANJ RAKOR

Hammaddesi	: Polyamid
Renk	: RAL 7001 (Gri) RAL 7035 (Açık Gri) RAL 9005 (Siyah)
Bağlantı Dişi M	: EN 60423
Koruma sınıfı	: IP 68 5 bar
Sürekli ısıya direnci	: -30 °C +80 °C
Kısa süreli ısıya direnci	: +150 °C
Conta	: Termoplastik vulkanize TPV



\* Red (RAL 3020) and White (RAL 9010) colours are available

### METRIC THREAD CABLE GLANDS

AG Thread	Gray Code ■ RAL 7001	L. Gray Code ■ RAL 7035	Black Code ■ RAL 9005	H mm	GL mm	mm	mm
M 12 x 1,5	OMRG 01	OMRL 01	OMRB 01	24	8	15	3 - 6,5
M 16 x 1,5	OMRG 02	OMRL 02	OMRB 02	28	8	19	4 - 8
M 16 x 1,5	OMRG 03	OMRL 03	OMRB 03	29	10	22	5 - 10
M 20 x 1,5	OMRG 04	OMRL 04	OMRB 04	29	10	24	6 - 12
M 20 x 1,5	OMRG 05	OMRL 05	OMRB 05	33	10	27	10 - 14
M 25 x 1,5	OMRG 06	OMRL 06	OMRB 06	38	10	33	13 - 18
M 32 x 1,5	OMRG 07	OMRL 07	OMRB 07	41	10	42	18 - 25
M 40 x 1,5	OMRG 08	OMRL 08	OMRB 08	51	10	53	22 - 32
M 50 x 1,5	OMRG 09	OMRL 09	OMRB 09	53	18	60	30 - 38
M 63 x 1,5	OMRG 10	OMRL 10	OMRB 10	55	18	70	34 - 44

### LONG METRIC CABLE GLANDS

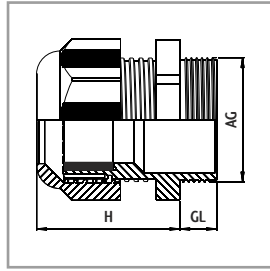
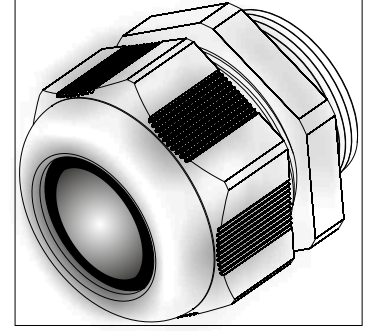
M 12 x 1,5	OMRG 01L	OMRL 01L	OMRB 01L	24	15	15	3 - 6,5
M 16 x 1,5	OMRG 11S	OMRL 11S	OMRB 11S	28	15	19	4 - 8
M 16 x 1,5	OMRG 11	OMRL 11	OMRB 11	29	15	22	5 - 10
M 20 x 1,5	OMRG 12	OMRL 12	OMRB 12	29	15	24	6 - 12
M 20 x 1,5	OMRG 13	OMRL 13	OMRB 13	33	15	27	10 - 14
M 25 x 1,5	OMRG 14	OMRL 14	OMRB 14	38	15	33	13 - 18
M 32 x 1,5	OMRG 15	OMRL 15	OMRB 15	41	18	42	18 - 25
M 40 x 1,5	OMRG 16	OMRL 16	OMRB 16	51	18	53	22 - 32

## ORTAC PLASTIC CABLE GLANDS SERIES

Plastic series are separated from other cable glands due to the following characteristics;

- Polyamide raw material
- High heat and impact resistance
- Anti lock system provides superior antivibration protection
- TPV rubber seal
- Resistance to Ultraviolet rays
- Ensures a firm grip on the cable that each point equal to 360°
- Connection thread norm (DIN 40430)
- Slippery surface for easy cable access
- IP68 protection class
- Permanent heat resistance -30 °C +80 °C
- Short term temperature range +150 °C
- Halogen free (not contain poisonous gas)

## POLYAMIDE CABLE GLANDS STANDARD TYPE



### ETANJ RAKOR

Hammaddesi	: Polyamid
Renk	: RAL 7001 (Gri) RAL 7035 (Açık Gri) RAL 9005 (Siyah)
Bağlantı Dişi PG	: DIN 40430
Koruma sınıfı	: IP 68 5 bar
Sürekli ısıya direnci	: -30 °C +80 °C
Kısa süreli ısıya direnci	: +150 °C
Conta	: Termoplastik vulkanize TPV



■ RAL 7001

■ RAL 7035

■ RAL 9005

\* Red (RAL 3020) and White (RAL 9010) colours are available

### PG THREAD CABLE GLANDS

AG Thread	Gray Code ■ RAL 7001	L. Gray Code ■ RAL 7035	Black Code ■ RAL 9005	H mm	GL mm	mm	mm
PG 7	ORG 01	ORL 01	ORB 01	24	8	15	3 - 6,5
PG 9	ORG 02	ORL 02	ORB 02	28	8	19	4 - 8
PG 11	ORG 03	ORL 03	ORB 03	29	8	22	5 - 10
PG 13.5	ORG 04	ORL 04	ORB 04	29	9	24	6 - 12
PG 16	ORG 05	ORL 05	ORB 05	33	9	27	10 - 14
PG 21	ORG 06	ORL 06	ORB 06	38	11	33	13 - 18
PG 29	ORG 07	ORL 07	ORB 07	41	11	42	18 - 25
PG 36	ORG 08	ORL 08	ORB 08	51	13	53	22 - 32
PG 42	ORG 09	ORL 09	ORB 09	53	13	60	30 - 38
PG 48	ORG 10	ORL 10	ORB 10	55	14	65	34 - 44

### LONG PG CABLE GLANDS

PG 7	ORGL 01	ORLL 01	ORBL 01	24	15	15	3 - 6,5
PG 9	ORGL 02	ORLL 02	ORBL 02	28	15	29	4 - 8
PG 11	ORGL 03	ORLL 03	ORBL 03	29	15	22	5 - 10
PG 13.5	ORGL 04	ORLL 04	ORBL 04	29	15	24	6 - 12
PG 16	ORGL 05	ORLL 05	ORBL 05	33	15	27	10 - 14
PG 21	ORGL 06	ORLL 06	ORBL 06	38	15	33	13 - 18
PG 29	ORGL 07	ORLL 07	ORBL 07	41	15	42	18 - 25
PG 36	ORGL 08	ORLL 08	ORBL 08	51	18	53	22 - 32
PG 42	ORGL 09	ORLL 09	ORBL 09	53	18	60	30 - 38
PG 48	ORGL 10	ORLL 10	ORBL 10	55	18	65	34 - 44



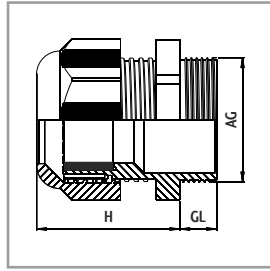
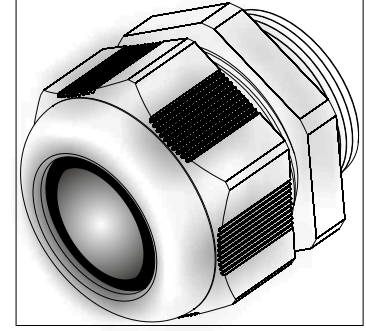
## ORTAC PLASTIC CABLE GLANDS SERIES

Plastic series are separated from other cable glands due to the following characteristics;

- Polyamide raw material
- High heat and impact resistance
- Anti lock system provides superior antivibration protection
- TPV rubber seal
- Resistance to Ultraviolet rays
- Ensures a firm grip on the cable that each point equal to 360°
- Connection thread norms (DIN 40430 / EN 60423)
- Slippery surface for easy cable access
- IP68 protection class
- Continuous heat resistance -40 °C + 100 °C
- Short term temperature range +150 °C
- Halogen and phosphorous free
- Fire protection class V0 according to UL 94 (EN 50262)
- Sum of the afterburning times for 10 ignition procedures max. 50 s.

## POLYAMIDE CABLE GLANDS

V0 - UL94



### ETANJ RAKOR V0 - UL94

Hammaddesi	: Polyamid V0 - UL94
Renk	: RAL 7001 (Gri) RAL 7035 (Açık Gri) RAL 9005 (Siyah)
Bağlantı Dişi M	: EN 60423
Bağlantı Dişi PG	: DIN 40430
Koruma sınıfı	: IP 68 5 bar
Sürekli ısıya direnci	: - 40 °C + 100 °C
Kısa süreli ısıya direnci	: +150 °C
Conta	: Termoplastik vulkanize TPV



■ RAL 7001





■ RAL 7035



■ RAL 9005

### METRIC/PG THREAD CABLE GLANDS

AG Thread	Gray Code ■ RAL 7001	L. Gray Code ■ RAL 7035	Black Code ■ RAL 9005	H mm	GL mm	 mm	 mm
M 12 x 1,5	OMRGV 01	OMRLV 01	OMRBV 01	24	8	15	3 - 6,5
M 16 x 1,5	OMRGV 02	OMRLV 02	OMRBV 02	28	8	19	4 - 8
M 16 x 1,5	OMRGV 03	OMRLV 03	OMRBV 03	29	10	22	5 - 10
M 20 x 1,5	OMRGV 04	OMRLV 04	OMRBV 04	29	10	24	6 - 12
M 20 x 1,5	OMRGV 05	OMRLV 05	OMRBV 05	33	10	27	10 - 14
M 25 x 1,5	OMRGV 06	OMRLV 06	OMRBV 06	38	10	33	13 - 18
M 32 x 1,5	OMRGV 07	OMRLV 07	OMRBV 07	41	10	42	18 - 25
M 40 x 1,5	OMRGV 08	OMRLV 08	OMRBV 08	51	10	53	22 - 32
M 50 x 1,5	OMRGV 09	OMRLV 09	OMRBV 09	53	18	60	30 - 38
M 63 x 1,5	OMRGV 10	OMRLV 10	OMRBV 10	55	18	70	34 - 44
LONG METRIC CABLE GLANDS							
M 12 x 1,5	OMRGV 01L	OMRLV 01L	OMRBV 01L	24	15	15	3 - 6,5
M 16 x 1,5	OMRGV 11S	OMRLV 11S	OMRBV 11S	28	15	19	4 - 8
M 16 x 1,5	OMRGV 11	OMRLV 11	OMRBV 11	29	15	22	5 - 10
M 20 x 1,5	OMRGV 12	OMRLV 12	OMRBV 12	29	15	24	6 - 12
M 20 x 1,5	OMRGV 13	OMRLV 13	OMRBV 13	33	15	27	10 - 14
M 25 x 1,5	OMRGV 14	OMRLV 14	OMRBV 14	38	15	33	13 - 18
M 32 x 1,5	OMRGV 15	OMRLV 15	OMRBV 15	41	18	42	18 - 25
M 40 x 1,5	OMRGV 16	OMRLV 16	OMRBV 16	51	18	53	22 - 32
LONG PG CABLE GLANDS							
PG 7	ORGV 01	ORLV 01	ORBV 01	24	8	15	3 - 6,5
PG 9	ORGV 02	ORLV 02	ORBV 02	28	8	19	4 - 8
PG 11	ORGV 03	ORLV 03	ORBV 03	29	8	22	5 - 10
PG 13,5	ORGV 04	ORLV 04	ORBV 04	29	9	24	6 - 12
PG 16	ORGV 05	ORLV 05	ORBV 05	33	9	27	10 - 14
PG 21	ORGV 06	ORLV 06	ORBV 06	38	11	33	13 - 18
PG 29	ORGV 07	ORLV 07	ORBV 07	41	11	42	18 - 25
PG 36	ORGV 08	ORLV 08	ORBV 08	51	13	53	22 - 32
PG 42	ORGV 09	ORLV 09	ORBV 09	53	13	60	30 - 38
PG 48	ORGV 10	ORLV 10	ORBV 10	55	14	65	34 - 44

\* Long PG threads cable glands are also available.

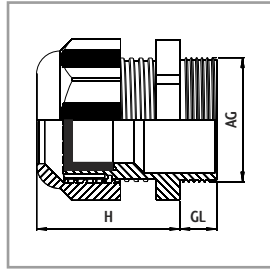
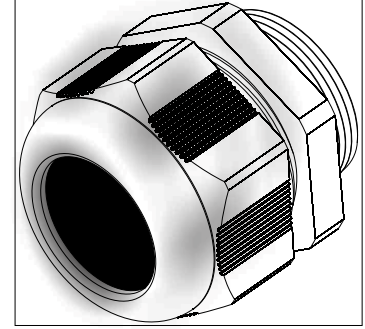


## ORTAC PLASTIC CABLE GLANDS SERIES

Plastic series are separated from other cable glands due to the following characteristics;

- Polyamide raw material
- High heat and impact resistance
- Anti lock system provides superior antivibration protection
- TPV rubber seal
- Resistance to Ultraviolet rays
- Ensures a firm grip on the cable that each point equal to 360°
- Connection thread norms (DIN 40430 / EN 60423)
- Slippery surface for easy cable access
- IP68 protection class
- Continuous heat resistance -30 °C +80 °C
- Short term temperature range +150 °C
- Halogen free (not contain poisonous gas)
- Resistance to dust powder with closed seal
- According to EN 50262

## POLYAMIDE CABLE GLANDS CLOSED SEAL



### KAPALI CONTALI ETANJ RAKOR

Hammaddesi	: Polyamid
Renk	: RAL 7001 (Gri) RAL 7035 (Açık Gri) RAL 9005 (Siyah)
Bağlantı Dişi M	: EN 60423
Bağlantı Dişi PG	: DIN 40430
Koruma sınıfı	: IP 68 5 bar
Sürekli ısıya direnci	: -30 °C +80 °C
Kısa süreli ısıya direnci	: +150 °C
Conta	: Termoplastik vulkanize TPV



■ RAL 7001





■ RAL 7035



■ RAL 9005

### METRIC/PG THREAD CABLE GLANDS

AG Thread	Gray Code ■ RAL 7001	L. Gray Code ■ RAL 7035	Black Code ■ RAL 9005	H mm	GL mm	 mm	 mm
M 12 x 1,5	KMRG 01	KMRL 01	KMRB 01	24	8	15	3 - 6,5
M 16 x 1,5	KMRG 02	KMRL 02	KMRB 02	28	8	19	4 - 8
M 16 x 1,5	KMRG 03	KMRL 03	KMRB 03	29	10	22	5 - 10
M 20 x 1,5	KMRG 04	KMRL 04	KMRB 04	29	10	24	6 - 12
M 20 x 1,5	KMRG 05	KMRL 05	KMRB 05	33	10	27	10 - 14
M 25 x 1,5	KMRG 06	KMRL 06	KMRB 06	38	10	33	13 - 18
M 32 x 1,5	KMRG 07	KMRL 07	KMRB 07	41	10	42	18 - 25
M 40 x 1,5	KMRG 08	KMRL 08	KMRB 08	51	10	53	22 - 32
M 50 x 1,5	KMRG 09	KMRL 09	KMRB 09	53	18	60	30 - 38
M 63 x 1,5	KMRG 10	KMRL 10	KMRB 10	55	18	70	34 - 44
LONG METRIC CABLE GLANDS							
M 12 x 1,5	KMRG 01L	KMRL 01L	KMRB 01L	24	15	15	3 - 6,5
M 16 x 1,5	KMRG 11S	KMRL 11S	KMRB 11S	28	15	19	4 - 8
M 16 x 1,5	KMRG 11	KMRL 11	KMRB 11	29	15	22	5 - 10
M 20 x 1,5	KMRG 12	KMRL 12	KMRB 12	29	15	24	6 - 12
M 20 x 1,5	KMRG 13	KMRL 13	KMRB 13	33	15	27	10 - 14
M 25 x 1,5	KMRG 14	KMRL 14	KMRB 14	38	15	33	13 - 18
M 32 x 1,5	KMRG 15	KMRL 15	KMRB 15	41	18	42	18 - 25
M 40 x 1,5	KMRG 16	KMRL 16	KMRB 16	51	18	53	22 - 32
LONG PG CABLE GLANDS							
PG 7	KRG 01	KRL 01	KRB 01	24	8	15	3 - 6,5
PG 9	KRG 02	KRL 02	KRB 02	28	8	19	4 - 8
PG 11	KRG 03	KRL 03	KRB 03	29	8	22	5 - 10
PG 13.5	KRG 04	KRL 04	KRB 04	29	9	24	6 - 12
PG 16	KRG 05	KRL 05	KRB 05	33	9	27	10 - 14
PG 21	KRG 06	KRL 06	KRB 06	38	11	33	13 - 18
PG 29	KRG 07	KRL 07	KRB 07	41	11	42	18 - 25
PG 36	KRG 08	KRL 08	KRB 08	51	13	53	22 - 32
PG 42	KRG 09	KRL 09	KRB 09	53	13	60	30 - 38
PG 48	KRG 10	KRL 10	KRB 10	55	14	65	34 - 44

\* Long PG threads cable glands are also available.

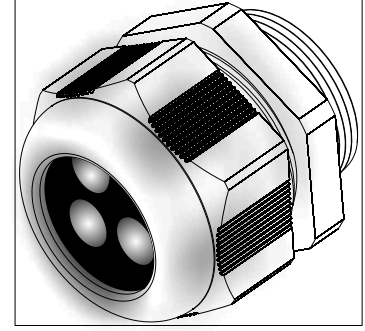


## ORTAC PLASTIC CABLE GLANDS SERIES

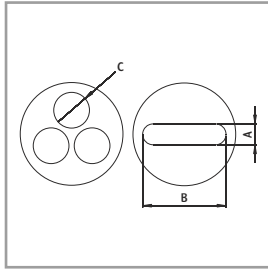
Plastic series are separated from other cable glands due to the following characteristics;

- Polyamide raw material
- High heat and impact resistance
- Anti lock system provides superior antivibration protection
- TPV rubber seal
- Resistance to Ultraviolet rays
- Ensures a firm grip on the cable that each point equal to 360°
- Connection thread norm (EN 60423)
- Slippery surface for easy cable access
- IP65 protection class
- Continuous heat resistance -30 °C +80 °C
- Short term temperature range +150 °C
- Halogen free (not contain poisonous gas)
- Multi hole cable glands that ensures IP protection, are used in need of multi cable access
- According to EN 50262

## POLYAMIDE CABLE GLANDS MULTI HOLE - FLATHOLE



### MULTİ ETANJ RAKOR



Hammaddesi	: Polyamid
Renk	: RAL 7001 (Gri) RAL 7035 (Açık Gri) RAL 9005 (Siyah)
Bağlantı Dişi M	: EN 60423
Koruma sınıfı	: IP 65
Sürekli ısıya direnci	: - 30 °C + 80 °C
Kısa süreli ısıya direnci	: +150 °C
Conta	: Termoplastik vulkanize TPV



RAL 7001

RAL 7035

RAL 9005

### METRIC THREAD CABLE GLANDS

PRODUCT RANGE OVERVIEW

AG Thread	Gray Code			Number of holes mm	C mm	
	■ RAL 7001	■ RAL 7035	■ RAL 9005			
M 16 x 1,5	OMRG 02A3	OMRL 02A3	OMRB 02A3	2	3	
M 16 x 1,5	OMRG 02B3	OMRL 02B3	OMRB 02B3	3	3	
M 16 x 1,5	OMRG 02C3	OMRL 02C3	OMRB 02C3	4	3	
M 16 x 1,5	OMRG 03A4	OMRL 03A4	OMRB 03A4	2	4	
M 16 x 1,5	OMRG 03A5	OMRL 03A5	OMRB 03A5	2	5	
M 16 x 1,5	OMRG 03B4	OMRL 03B4	OMRB 03B4	3	4	
M 16 x 1,5	OMRG 03B5	OMRL 03B5	OMRB 03B5	3	5	
M 20 x 1,5	OMRG 04A5	OMRL 04A5	OMRB 04A5	2	5	
M 20 x 1,5	OMRG 04A6	OMRL 04A6	OMRB 04A6	2	6	
M 20 x 1,5	OMRG 04B4	OMRL 04B4	OMRB 04B4	3	4	
M 20 x 1,5	OMRG 04B5	OMRL 04B5	OMRB 04B5	3	5	
M 20 x 1,5	OMRG 05A4	OMRL 05A4	OMRB 05A4	2	4	
M 20 x 1,5	OMRG 05A7	OMRL 05A7	OMRB 05A7	2	7	
M 20 x 1,5	OMRG 05B4	OMRL 05B4	OMRB 05B4	3	4	
M 20 x 1,5	OMRG 05B6	OMRL 05B6	OMRB 05B6	3	6	
M 20 x 1,5	OMRG 05C5	OMRL 05C5	OMRB 05C5	4	5	
M 25 x 1,5	OMRG 06A8	OMRL 06A8	OMRB 06A8	2	8	
M 25 x 1,5	OMRG 06A9	OMRL 06A9	OMRB 06A9	2	9	
M 25 x 1,5	OMRG 06B7	OMRL 06B7	OMRB 06B7	3	7	
M 25 x 1,5	OMRG 06B8	OMRL 06B8	OMRB 06B8	3	8	
M 25 x 1,5	OMRG 06C7	OMRL 06C7	OMRB 06C7	4	7	
M 25 x 1,5	OMRG 06G3	OMRL 06G3	OMRB 06G3	8	3	
M 25 x 1,5	OMRG 06G4	OMRL 06G4	OMRB 06G4	8	4	
M 32 x 1,5	OMRG 07C9	OMRL 07C9	OMRB 07C9	4	9	
M 32 x 1,5	OMRG 07O3	OMRL 07O3	OMRB 07O3	16	3	
M 40 x 1,5	OMRG 08E8	OMRL 08E8	OMRB 08E8	6	8	
FLATHOLE METRIC CABLE GLANDS					A / mm	B / mm
M 20 x 1,5	YMRG 05	YMRL 05	YMRB 05	7	13	
M 25 x 1,5	YMRG 06	YMRL 06	YMRB 06	7	15	
M 32 x 1,5	YMRG 07	YMRL 07	YMRB 07	8	22	
M 40 x 1,5	YMRG 08	YMRL 08	YMRB 08	10	28	
M 50 x 1,5	YMRG 09	YMRL 09	YMRB 09	12	33	
M 63 x 1,5	YMRG 10	YMRL 10	YMRB 10	14	45	

IP 65

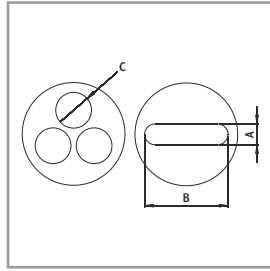
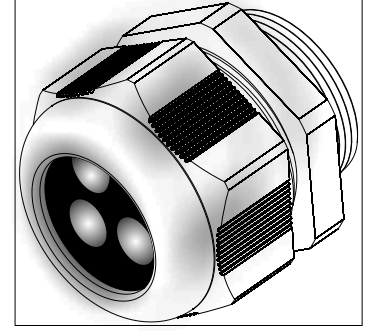
Halogen free

## ORTAC PLASTIC CABLE GLANDS SERIES

Plastic series are separated from other cable glands due to the following characteristics;

- Polyamide raw material
- High heat and impact resistance
- Anti lock system provides superior antivibration protection
- TPV rubber seal
- Resistance to Ultraviolet rays
- Ensures a firm grip on the cable that each point equal to 360°
- Connection thread norm (DIN 40430)
- Slippery surface for easy cable access
- IP65 protection class
- Continuous heat resistance -30 °C +80 °C
- Short term temperature range +150 °C
- Halogen free (not contain poisonous gas)
- Multi hole cable glands that ensures IP protection, are used in need of multi cable access

## POLYAMIDE CABLE GLANDS MULTI HOLE - FLATHOLE



### MULTİ ETANJ RAKOR

Hammaddesi	: Polyamid
Renk	: RAL 7001 (Gri) RAL 7035 (Açık Gri) RAL 9005 (Siyah)
Bağlantı Dişi PG	: DIN 40430
Koruma sınıfı	: IP 65
Sürekli ısıya direnci	: - 30 °C + 80 °C
Kısa süreli ısıya direnci	: +150 °C
Conta	: Termoplastik vulkanize TPV



■ RAL 7001

■ RAL 7035

■ RAL 9005

### PG THREAD CABLE GLANDS

PRODUCT RANGE OVERVIEW

AG Thread	Gray Code			Number of holes mm	C mm	
	■ RAL 7001	■ RAL 7035	■ RAL 9005			
PG 9	ORG 02A3	ORL 02A3	ORB 02A3	2	3	
PG 9	ORG 02B3	ORL 02B3	ORB 02B3	3	3	
PG 9	ORG 02C3	ORL 02C3	ORB 02C3	4	3	
PG 11	ORG 03A4	ORL 03A4	ORB 03A4	2	4	
PG 11	ORG 03A5	ORL 03A5	ORB 03A5	2	5	
PG 11	ORG 03B4	ORL 03B4	ORB 03B4	3	4	
PG 11	ORG 03B5	ORL 03B5	ORB 03B5	3	5	
PG 13,5	ORG 04A5	ORL 04A5	ORB 04A5	2	5	
PG 13,5	ORG 04A6	ORL 04A6	ORB 04A6	2	6	
PG 13,5	ORG 04B4	ORL 04B4	ORB 04B4	3	4	
PG 13,5	ORG 04B5	ORL 04B5	ORB 04B5	3	5	
PG 16	ORG 05A4	ORL 05A4	ORB 05A4	2	4	
PG 16	ORG 05A7	ORL 05A7	ORB 05A7	2	7	
PG 16	ORG 05B4	ORL 05B4	ORB 05B4	3	4	
PG 16	ORG 05B6	ORL 05B6	ORB 05B6	3	6	
PG 16	ORG 05C5	ORL 05C5	ORB 05C5	4	5	
PG 21	ORG 06A8	ORL 06A8	ORB 06A8	2	8	
PG 21	ORG 06A9	ORL 06A9	ORB 06A9	2	9	
PG 21	ORG 06B7	ORL 06B7	ORB 06B7	3	7	
PG 21	ORG 06B8	ORL 06B8	ORB 06B8	3	8	
PG 21	ORG 06C7	ORL 06C7	ORB 06C7	4	7	
PG 21	ORG 06G3	ORL 06G3	ORB 06G3	8	3	
PG 21	ORG 06G4	ORL 06G4	ORB 06G4	8	4	
PG 29	ORG 07C9	ORL 07C9	ORB 07C9	4	9	
PG 29	ORG 07O3	ORL 07O3	ORB 07O3	16	3	
PG 36	ORG 08E8	ORL 08E8	ORB 08E8	6	8	
FLATHOLE PG CABLE GLANDS					A / mm	B / mm
PG 16	YRG 05	YRL 05	YRB 05	7	13	
PG 21	YRG 06	YRL 06	YRB 06	7	15	
PG 29	YRG 07	YRL 07	YRB 07	8	22	
PG 36	YRG 08	YRL 08	YRB 08	10	28	
PG 42	YRG 09	YRL 09	YRB 09	12	33	
PG 48	YRG 10	YRL 10	YRB 10	14	45	

IP 65

Halogen free

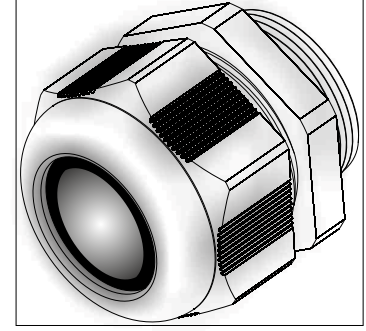


## ORTAC PLASTIC CABLE GLANDS SERIES

Plastic series are separated from other cable glands due to the following characteristics;

- Polyamide raw material
- High heat and impact resistance
- Anti lock system provides superior antivibration protection
- TPV rubber seal
- Resistance to Ultraviolet rays
- Ensures a firm grip on the cable that each point equal to 360°
- Connection thread norm (EN 60423)
- Slippery surface for easy cable access
- IP68 protection class
- Continuous heat resistance -30 °C +80 °C
- Short term temperature range +150 °C
- Halogen free (not contain poisonous gas)
- According to EN 50262

## POLYAMIDE CABLE GLANDS EURO METRIC - REDUCED



### EUROMETRİK - REDÜKSİYON RAKOR

Hammaddesi	: Polyamid
Renk	: RAL 7001 (Gri) RAL 7035 (Açık Gri) RAL 9005 (Siyah)
Bağlantı Dişi M	: EN 60423
Koruma sınıfı	: IP 68 5 bar
Sürekli ısıya direnci	: - 30 °C + 80 °C
Kısa süreli ısıya direnci	: +150 °C
Conta	: Termoplastik vulkanize TPV



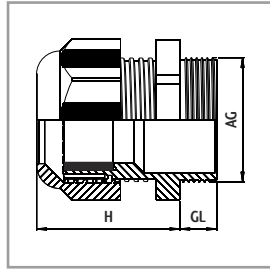
RAL 7001



RAL 7035



RAL 9005



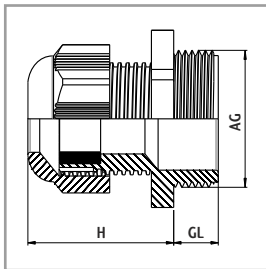
### EURO METRIC THREAD CABLE GLANDS

AG Thread	Gray Code ■ RAL 7001	L. Gray Code ■ RAL 7035	Black Code ■ RAL 9005	H mm	GL mm	mm	mm
-----------	-------------------------	----------------------------	--------------------------	------	-------	----	----

M 25 x 1,5	OMRG E6	OMRL E6	OMRB E6	35	10	29	11 - 17
M 32 x 1,5	OMRG E7	OMRL E7	OMRB E7	40	10	36	15 - 21
M 40 x 1,5	OMRG E8	OMRL E8	OMRB E8	43	10	46	19 - 28

### LONG EURO METRIC CABLE GLANDS

M 25 x 1,5	OMRG E14	OMRL E14	OMRB E14	35	15	29	11 - 17
M 32 x 1,5	OMRG E15	OMRL E15	OMRB E15	40	15	36	15 - 21
M 40 x 1,5	OMRG E16	OMRL E16	OMRB E16	43	15	46	19 - 28



### REDUCED METRIC CABLE GLANDS

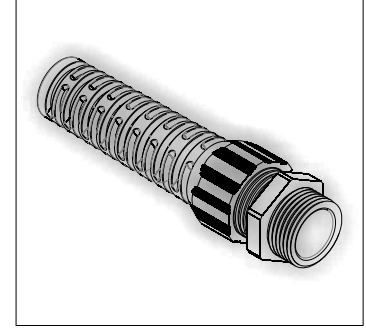
M 25 x 1,5	OMRG ES4	OMRL ES4	OMRB ES4	32	10	29	4 - 10
M 25 x 1,5	OMRG ES6	OMRL ES6	OMRB ES6	32	10	29	6 - 12

## ORTAC PLASTIC CABLE GLANDS SERIES

Plastic series are separated from other cable glands due to the following characteristics;

- Polyamide raw material
- High heat and impact resistance
- Anti lock system provides superior antivibration protection
- TPV rubber seal
- Resistance to Ultraviolet rays
- Ensures a firm grip on the cable that each point equal to 360°
- Connection thread norm (EN 60423)
- Slippery surface for easy cable access
- IP68 protection class
- Continuous heat resistance -30 °C +80 °C
- Short term temperature range +150 °C
- Halogen free (not contain poisonous gas)
- According to EN 50262
- Flexible rotary surface for easy cable access

## POLYAMIDE CABLE GLANDS SPIRAL TYPE



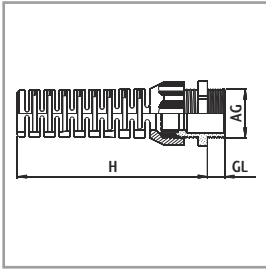
■ RAL 7001

■ RAL 7035

■ RAL 9005

### SPİRAL UÇLU RAKOR

Hammaddesi	: Polyamid
Renk	: RAL 7001 (Gri) RAL 7035 (Açık Gri) RAL 9005 (Siyah)
Bağlantı Dişi M	: EN 60423
Koruma sınıfı	: IP 68 5 bar
Sürekli ısıya direnci	: - 30 °C + 80 °C
Kısa süreli ısıya direnci	: +150 °C
Conta	: Termoplastik vulkanize TPV



### METRIC THREAD CABLE GLANDS

AG Thread	Gray Code ■ RAL 7001	L. Gray Code ■ RAL 7035	Black Code ■ RAL 9005	H mm	GL mm	mm	mm
M 12 x 1,5	OMRG 17	OMRL 17	OMRB 17	57	8	15	3 - 6,5
M 16 x 1,5	OMRG 18	OMRL 18	OMRB 18	70	8	19	4 - 8
M 16 x 1,5	OMRG 19	OMRL 19	OMRB 19	81	10	22	5 - 10
M 20 x 1,5	OMRG 20	OMRL 20	OMRB 20	89	10	24	6 - 12
M 20 x 1,5	OMRG 21	OMRL 21	OMRB 21	107	10	27	10 - 14
M 25 x 1,5	OMRG 22	OMRL 22	OMRB 22	124	10	33	13 - 18

### LONG METRIC CABLE GLANDS

M 12 x 1,5	OMRG 17L	OMRL 17L	OMRB 17L	57	15	15	3 - 6,5
M 16 x 1,5	OMRG 18L	OMRL 18L	OMRB 18L	70	15	19	4 - 8
M 16 x 1,5	OMRG 19L	OMRL 19L	OMRB 19L	81	15	22	5 - 10
M 20 x 1,5	OMRG 20L	OMRL 20L	OMRB 20L	89	15	24	6 - 12
M 20 x 1,5	OMRG 21L	OMRL 21L	OMRB 21L	107	15	27	10 - 14
M 25 x 1,5	OMRG 22L	OMRL 22L	OMRB 22L	124	15	33	13 - 18

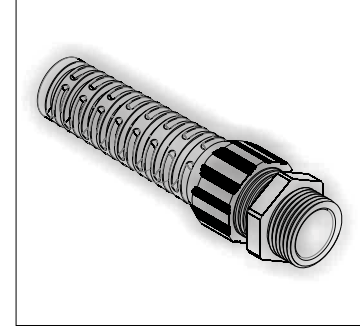


## ORTAC PLASTIC CABLE GLANDS SERIES

Plastic series are separated from other cable glands due to the following characteristics;

- Polyamide raw material
- High heat and impact resistance
- Anti lock system provides superior antivibration protection
- TPV rubber seal
- Resistance to Ultraviolet rays
- Ensures a firm grip on the cable that each point equal to 360°
- Connection thread norm (DIN 40430)
- Slippery surface for easy cable access
- IP68 protection class
- Continuous heat resistance -30 °C +80 °C
- Short term temperature range +150 °C
- Halogen free (not contain poisonous gas)
- Flexible rotary surface for easy cable access

## POLYAMIDE CABLE GLANDS SPIRAL TYPE



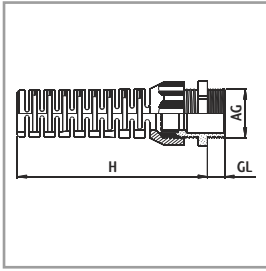
RAL 7001

RAL 7035



RAL 9005

### SPİRAL UÇLU RAKOR

Hammaddesi	: Polyamid
Renk	: RAL 7001 (Gri) RAL 7035 (Açık Gri) RAL 9005 (Siyah)
Bağlantı Dişi PG	: DIN 40430
Koruma sınıfı	: IP 68 5 bar
Sürekli ısıya direnci	: - 30 °C + 80 °C
Kısa süreli ısıya direnci	: +150 °C
Conta	: Termoplastik vulkanize TPV



### PG THREAD CABLE GLANDS

AG Thread	Gray Code ■ RAL 7001	L. Gray Code ■ RAL 7035	Black Code ■ RAL 9005	H mm	GL mm	 mm	 mm
PG 7	ORG 19	ORL 19	ORB 19	57	8	15	3 - 6,5
PG 9	ORG 20	ORL 20	ORB 20	70	8	19	4 - 8
PG 11	ORG 21	ORL 21	ORB 21	81	8	22	5 - 10
PG 13.5	ORG 22	ORL 22	ORB 22	89	9	24	6 - 12
PG 16	ORG 23	ORL 23	ORB 23	107	9	27	10 - 14
PG 21	ORG 24	ORL 24	ORB 24	124	11	33	13 - 18

### LONG PG CABLE GLANDS

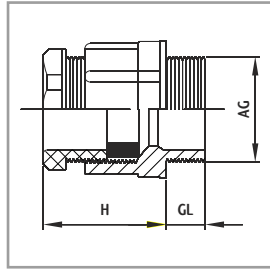
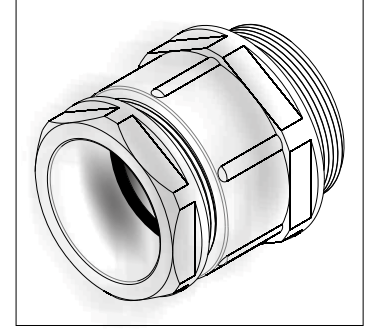
PG 7	ORG 19L	ORL 19L	ORB 19L	57	15	15	3 - 6,5
PG 9	ORG 20L	ORL 20L	ORB 20L	70	15	19	4 - 8
PG 11	ORG 21L	ORL 21L	ORB 21L	81	15	22	5 - 10
PG 13.5	ORG 22L	ORL 22L	ORB 22L	89	15	24	6 - 12
PG 16	ORG 23L	ORL 23L	ORB 23L	107	15	27	10 - 14
PG 21	ORG 24L	ORL 24L	ORB 24L	124	15	33	13 - 18

## ORTAC PLASTIC CABLE GLANDS SERIES

Plastic series are separated from other cable glands due to the following characteristics;

- Polyamide raw material
- High heat and impact resistance
- Anti lock system provides superior antivibration protection
- TPV rubber seal
- Resistance to Ultraviolet rays
- Ensures a firm grip on the cable that each point equal to 360°
- Connection thread norms (DIN 40430 / EN 60423)
- Slippery surface for easy cable access
- IP54 protection class
- Continuous heat resistance -30 °C +80 °C
- Short term temperature range +150 °C
- Halogen free (not contain poisonous gas)

## POLYAMIDE CABLE GLANDS FLAT TYPE



### DÜZ TİP RAKOR

Hammaddesi	: Polyamid
Renk	: RAL 7001 (Gri) RAL 7035 (Açık Gri) RAL 9005 (Siyah)
Bağlantı Dişi M	: EN 60423
Bağlantı Dişi PG	: DIN 40430
Koruma sınıfı	: IP 54
Sürekli ısıya direnci	: -30 °C +80 °C
Kısa süreli ısıya direnci	: +150 °C
Conta	: Termoplastik vulkanize TPV



■ RAL 7001



■ RAL 7035



■ RAL 9005

### METRIC/PG THREAD CABLE GLANDS

AG Thread	Gray Code ■ RAL 7001	L. Gray Code ■ RAL 7035	Black Code ■ RAL 9005	H mm	GL mm	mm	mm
M 12 x 1,5	DMRG 01	DMRL 01	DMRB 01	21	8	15	3,5 - 6
M 16 x 1,5	DMRG 02	DMRL 02	DMRB 02	22	8	19	4,5 - 7
M 16 x 1,5	DMRG 03	DMRL 03	DMRB 03	22	8	22	6 - 9
M 20 x 1,5	DMRG 04	DMRL 04	DMRB 04	26	9	24	9 - 12
M 20 x 1,5	DMRG 05	DMRL 05	DMRB 05	28	10	27	11 - 14
M 25 x 1,5	DMRG 06	DMRL 06	DMRB 06	32	11	33	14 - 18
PG 7	ORG 11	ORL 11	ORB 11	21	8	15	3,5 - 6
PG 9	ORG 12	ORL 12	ORB 12	22	8	19	4,5 - 7
PG 11	ORG 13	ORL 13	ORB 13	22	8	22	6 - 9
PG 13.5	ORG 14	ORL 14	ORB 14	26	9	24	9 - 12
PG 16	ORG 15	ORL 15	ORB 15	28	10	27	11 - 14
PG 21	ORG 16	ORL 16	ORB 16	32	11	33	14 - 18
PG 29	ORG 17	ORL 17	ORB 17	35	11	42	18 - 25
PG 36	ORG 18	ORL 18	ORB 18	39	13	53	25 - 32

PRODUCT RANGE OVERVIEW

IP 54

Halogen free



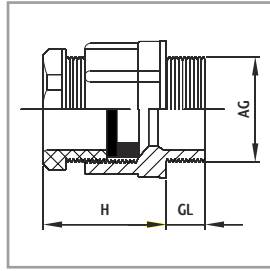
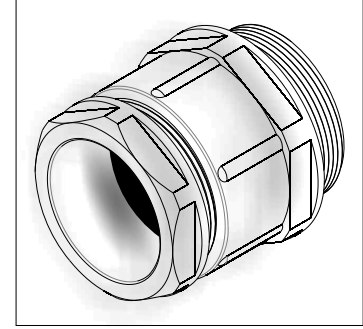
## ORTAC PLASTIC CABLE GLANDS SERIES

Plastic series are separated from other cable glands due to the following characteristics;

- Polyamide raw material
- High heat and impact resistance
- Anti lock system provides superior antivibration protection
- TPV rubber seal
- Resistance to Ultraviolet rays
- Ensures a firm grip on the cable that each point equal to 360°
- Connection thread norms (DIN 40430 / EN 60423)
- Slippery surface for easy cable access
- IP54 protection class
- Continuous heat resistance -30 °C +80 °C
- Short term temperature range +150 °C
- Halogen free (not contain poisonous gas)

## POLYAMIDE CABLE GLANDS

### FLAT TYPE CLOSED SEAL



### DÜZ TİP RAKOR KAPALI CANTALI

Hammaddesi	: Polyamid
Renk	: RAL 7001 (Gri) RAL 7035 (Açık Gri) RAL 9005 (Siyah)
Bağlantı Dişi M	: EN 60423
Bağlantı Dişi PG	: DIN 40430
Koruma sınıfı	: IP 54
Sürekli ısıya direnci	: -30 °C + 80 °C
Kısa süreli ısıya direnci	: +150 °C
Conta	: Termoplastik vulkanize TPV



RAL 7001





RAL 7035



RAL 9005

### METRIC/PG THREAD CABLE GLANDS

AG Thread	Gray Code ■ RAL 7001	L. Gray Code ■ RAL 7035	Black Code ■ RAL 9005	H mm	GL mm	 mm	 mm
M 12 x 1,5	KMRG 17	KMRL 17	KMRB 17	21	8	15	3,5 - 6
M 16 x 1,5	KMRG 18	KMRL 18	KMRB 18	22	8	19	4,5 - 7
M 16 x 1,5	KMRG 19	KMRL 19	KMRB 19	22	8	22	6 - 9
M 20 x 1,5	KMRG 20	KMRL 20	KMRB 20	26	9	24	9 - 12
M 20 x 1,5	KMRG 21	KMRL 21	KMRB 21	28	10	27	11 - 14
M 25 x 1,5	KMRG 22	KMRL 22	KMRB 22	32	11	33	14 - 18
PG 7	KRG 11	KRL 11	KRB 11	21	8	15	3,5 - 6
PG 9	KRG 12	KRL 12	KRB 12	22	8	19	4,5 - 7
PG 11	KRG 13	KRL 13	KRB 13	22	8	22	6 - 9
PG 13.5	KRG 14	KRL 14	KRB 14	26	9	24	9 - 12
PG 16	KRG 15	KRL 15	KRB 15	28	10	27	11 - 14
PG 21	KRG 16	KRL 16	KRB 16	32	11	33	14 - 18
PG 29	KRG 17	KRL 17	KRB 17	35	11	42	18 - 25
PG 36	KRG 18	KRL 18	KRB 18	39	13	53	25 - 32

PRODUCT RANGE OVERVIEW

IP 54

Halogen free



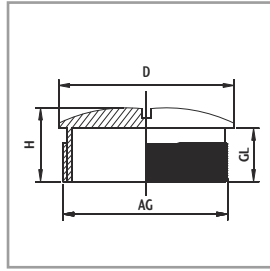
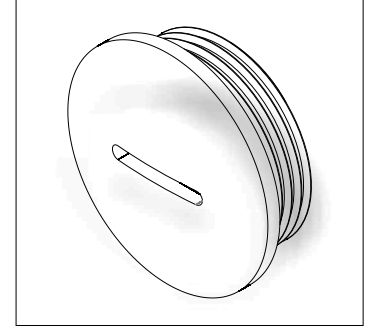
## ORTAC PLASTIC BLIND STOPS SERIES



Plastic series are separated from other blind stops due to the following characteristics;

- Polyamide raw material
- High heat and impact resistance
- Resistance to Ultraviolet rays
- IP54 protection class
- Connection thread norms (DIN 40430 / EN 60423)
- Continuous heat resistance -30 °C +80 °C
- Short term temperature range +150 °C
- Halogen free (not contain poisonous gas)

## POLYAMIDE BLIND STOPS



### KÖRTAPA

Hammaddesi	: Polyamid
Renk	: RAL 7001 (Gri) RAL 7035 (Açık Gri) RAL 9005 (Siyah)
Bağlantı Dişi M	: EN 60423
Bağlantı Dişi PG	: DIN 40430
Koruma sınıfı	: IP 54
Sürekli ısıya direnci	: -30 °C +80 °C
Kısa süreli ısıya direnci	: +150 °C



### METRIC/PG THREAD BLIND STOPS

AG Thread	Gray Code ■ RAL 7001	L. Gray Code ■ RAL 7035	Black Code ■ RAL 9005	H mm	GL mm	D mm
M 12 x 1,5	MOGK 01	MOLK 01	MOBK 01	8,5	6	15
M 16 x 1,5	MOGK 02	MOLK 02	MOBK 02	10	7	20
M 20 x 1,5	MOGK 03	MOLK 03	MOBK 03	10	7	24
M 25 x 1,5	MOGK 04	MOLK 04	MOBK 04	14	10	30
M 32 x 1,5	MOGK 05	MOLK 05	MOBK 05	14	10	37
M 40 x 1,5	MOGK 06	MOLK 06	MOBK 06	15	10	48
PG 7	OGK 01	OLK 01	OBK 01	8	6	15
PG 9	OGK 02	OLK 02	OBK 02	9	6	19
PG 11	OGK 03	OLK 03	OBK 03	9	6	22
PG 13,5	OGK 04	OLK 04	OBK 04	8,5	6	25
PG 16	OGK 05	OLK 05	OBK 05	8,5	6	27
PG 21	OGK 06	OLK 06	OBK 06	12	8	33
PG 29	OGK 07	OLK 07	OBK 07	12	8	44
PG 36	OGK 08	OLK 08	OBK 08	15	10	55



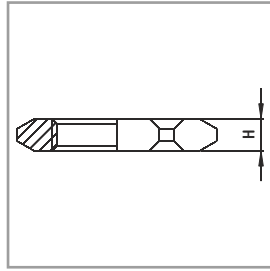
## ORTAC PLASTIC LOCK NUTS SERIES



Plastic series are separated from other lock nuts due to the following characteristics;

- %30 glass fiber reinforced lock nut that resistance to high temperature and compression
- Resistance to Ultraviolet rays
- Connection thread norms (DIN 40430 / EN 60423)
- Continuous heat resistance -30 °C +80 °C
- Short term temperature range +150 °C
- Halogen free (not contain poisonous gas)
- Roughing surface that prevents gliding

## POLYAMIDE LOCK NUTS STANDART TYPE



### SOMUN

Hammaddesi	: Polyamid + %30 Cam Elyaf Katkılı
Renk	: RAL 7001 (Gri) RAL 7035 (Açık Gri) RAL 9005 (Siyah)
Bağlantı Dişi M	: EN 60423
Bağlantı Dişi PG	: DIN 40430
Sürekli ısıya direnci	: -30 °C + 80 °C
Kısa süreli ısıya direnci	: +150 °C



■ RAL 7001



■ RAL 7035



■ RAL 9005

### METRIC/PG THREAD LOCK NUTS

AG Thread	Gray Code		Black Code		H mm	mm
	■ RAL 7001	■ L. Gray Code RAL 7035	■ RAL 9005	■		
M 12 x 1,5	MSG 01	MSL 01	MSB 01		5	18
M 16 x 1,5	MSG 02	MSL 02	MSB 02		5	22
M 20 x 1,5	MSG 03	MSL 03	MSB 03		6	26
M 25 x 1,5	MSG 04	MSL 04	MSB 04		6	32
M 32 x 1,5	MSG 05	MSL 05	MSB 05		7	41
M 40 x 1,5	MSG 06	MSL 06	MSB 06		7	50
M 50 x 1,5	MSG 07	MSL 07	MSB 07		8	60
M 63 x 1,5	MSG 08	MSL 08	MSB 08		8	75
PG 7	OSG 01	OSL 01	OSB 01		5	19
PG 9	OSG 02	OSL 02	OSB 02		5	22
PG 11	OSG 03	OSL 03	OSB 03		5	24
PG 13.5	OSG 04	OSL 04	OSB 04		6	27
PG 16	OSG 05	OSL 05	OSB 05		6	30
PG 21	OSG 06	OSL 06	OSB 06		7	36
PG 29	OSG 07	OSL 07	OSB 07		7	46
PG 36	OSG 08	OSL 08	OSB 08		8	60
PG 42	OSG 09	OSL 09	OSB 09		8	65
PG 48	OSG 10	OSL 10	OSB 10		8	70

PRODUCT RANGE OVERVIEW

Halogen free

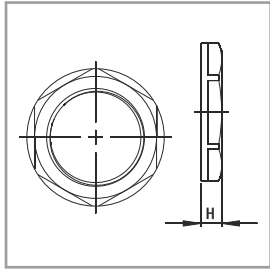
## ORTAC PLASTIC LOCK NUTS SERIES

Plastic series are separated from other lock nuts due to the following characteristics;

- %30 glass fiber reinforced lock nut that resistant to high temperature and compression
- Resistance to Ultraviolet rays
- Connection thread norms (DIN 40430 / EN 60423)
- Continuous heat resistance -30 °C +80 °C
- Short term temperature range +150 °C
- Halogen free (not contain poisonous gas)
- Roughing surface that prevents gliding
- Hexagonal with collar shape

## POLYAMIDE LOCK NUTS

### HEXAGONAL WITH COLLAR



### ŞAPKALI SOMUN

Hammaddesi	: Polyamid + %30 Cam Elyaf Katkılı
Renk	: RAL 7001 (Gri) RAL 7035 (Açık Gri) RAL 9005 (Siyah)
Bağlantı Dişi M	: EN 60423
Bağlantı Dişi PG	: DIN 40430
Süreklili isiya direnci	: -30 °C +80 °C
Kısa süreli isiya direnci	: +150 °C



### METRIC/PG THREAD LOCK NUTS

PRODUCT RANGE OVERVIEW

AG Thread	Gray Code ■ RAL 7001	L. Gray Code ■ RAL 7035	Black Code ■ RAL 9005	H mm	mm
M 12 x 1,5	RMSG 01	RMSL 01	RMSB 01	5	18
M 16 x 1,5	RMSG 02	RMSL 02	RMSB 02	5	22
M 20 x 1,5	RMSG 03	RMSL 03	RMSB 03	6	26
M 25 x 1,5	RMSG 04	RMSL 04	RMSB 04	6	32
M 32 x 1,5	RMSG 05	RMSL 05	RMSB 05	7	41
M 40 x 1,5	RMSG 06	RMSL 06	RMSB 06	7	50
M 50 x 1,5	RMSG 07	RMSL 07	RMSB 07	8	60
M 63 x 1,5	RMSG 08	RMSL 08	RMSB 08	8	75
PG 7	ROSG 01	ROSL 01	ROSB 01	5	19
PG 9	ROSG 02	ROSL 02	ROSB 02	5	22
PG 11	ROSG 03	ROSL 03	ROSB 03	5	24
PG 13.5	ROSG 04	ROSL 04	ROSB 04	6	27
PG 16	ROSG 05	ROSL 05	ROSB 05	6	30
PG 21	ROSG 06	ROSL 06	ROSB 06	7	36
PG 29	ROSG 07	ROSL 07	ROSB 07	7	46
PG 36	ROSG 08	ROSL 08	ROSB 08	8	60
PG 42	ROSG 09	ROSL 09	ROSB 09	8	65
PG 48	ROSG 10	ROSL 10	ROSB 10	8	70

Halogen free



# PROTECTION ACCESSORIES

## KORUMA TAPASI

EN	TR
Material Polyamide 6	Hammaddesi Polyamid 6
Temperature range - 30 °C + 80 °C	Isiya direnci - 30 °C + 80 °C



## TOZ ÖNLEYİCİ

EN	TR
Material Foam	Hammaddesi Köpük
Temperature range - 20 °C + 70 °C	Isiya direnci - 20 °C + 70 °C



### PROTECTION TAPS

PG Thread	M Thread	Black Code ■ RAL 9005	Red Code ■ RAL 3020
PG 7	M 12 x 1,5	PTB 01	PTR 01
PG 9	M 16 x 1,5	PTB 02	PTR 02
PG 11	M 16 x 1,5	PTB 03	PTR 03
PG 13.5	M 20 x 1,5	PTB 04	PTR 04
PG 16	M 20 x 1,5	PTB 05	PTR 05
PG 21	M 25 x 1,5	PTB 06	PTR 06
PG 29	M 32 x 1,5	PTB 07	PTR 07
PG 36	M 40 x 1,5	PTB 08	PTR 08
PG 42	M 50 x 1,5	PTB 09	PTR 09
PG 48	M 63 x 1,5	PTB 10	PTR 10

### DUST CAP

PG Thread	M Thread	Red Code ■ RAL 3020	Outer mm.
PG 7	M 12 x 1,5	DC 01	11
PG 9	M 16 x 1,5	DC 02	11
PG 11	M 16 x 1,5	DC 03	16
PG 13.5	M 20 x 1,5	DC 04	18
PG 16	M 20 x 1,5	DC 05	20
PG 21	M 25 x 1,5	DC 06	25
PG 29	M 32 x 1,5	DC 07	32
PG 36	M 40 x 1,5	DC 08	42
PG 42	M 50 x 1,5	DC 09	48
PG 48	M 63 x 1,5	DC 10	53

## PLASTİK RONDELA

EN	TR
Material Polystyrol	Hammaddesi Polistirol
Temperature range - 20 °C + 70 °C	Isiya direnci - 20 °C + 70 °C



## O-RING

EN	TR
Material Nitrile rubber 70 shore A	Hammaddesi Nitril Kauçuk 70 shore A
Temperature range - 40 °C + 100 °C	Isiya direnci - 40 °C + 100 °C

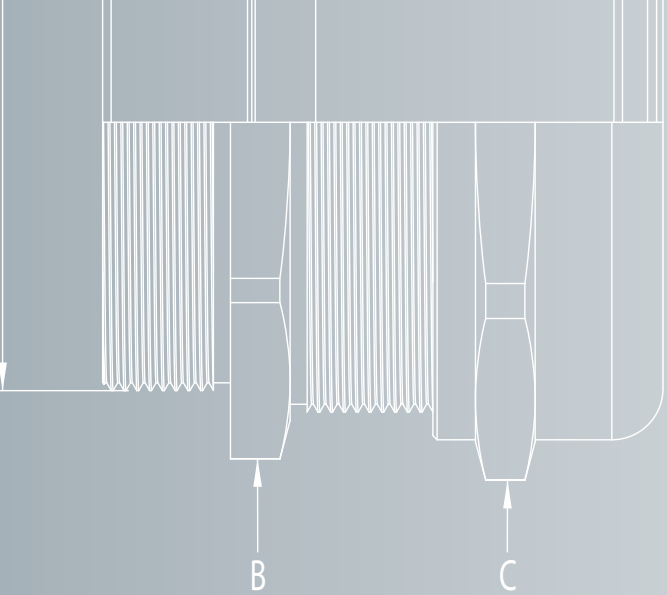


### JOINT WASHER

Code	H	Inner Diameter mm.	Outer Diameter mm.
WSH 01	1,3	7,9	11
WSH 02	1,3	10	13,4
WSH 03	1,4	11,9	17
WSH 04	1,3	13,8	18,3
WSH 05	1,5	15,9	20,4
WSH 06	1,5	20,9	25,9

### O-RING

Inner Diameter mm.	Thickness mm.	Usage Areas	Code
8	1,5	M 12 x 1,5	80015
9	1,5	PG 7	90015
11	1,5	PG 9	11015
12	1,5	M 16 x 1,5	12015
13	1,5	PG 11	13015
16	1,5	M 20 x 1,5/PG 13,5	16015
18	1,5	PG 16	18015
19	2	M 25 x 1,5	19020
22	2	PG 21	22020
23	2	M 32 x 1,5	23020
30	2	M 40 x 1,5/PG 29	30020
40	2	PG 36	40020
42	2	M 50 x 1,5	42020
48	2	PG 42	48020
53	2	M 63 x 1,5/PG 48	53020



## METAL CABLE GLANDS & ACCESSORIES



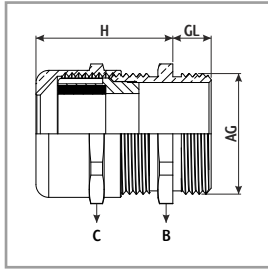
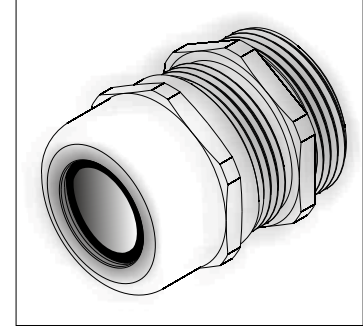


## ORTAC METAL CABLE GLANDS SERIES

Metal series are separated from other cable glands due to the following characteristics;

- Brass, nickel plated
- High heat and impact resistance
- TPV rubber seal
- Ensures a firm grip on the cable that each point equal to 360°
- Connection thread norm (EN 60423)
- IP68 protection class
- Permanent heat resistance -40 °C +100 °C
- Halogen free (not contain poisonous gas)
- Nitrile butadiene rubber (NBR O-ring)

## METAL CABLE GLANDS STANDARD TYPE BRASS



### ETANJ PİRİNÇ RAKOR

Hammaddesi	: Pirinç, nikel kaplı
Kablo tutucu	: Polyamid
Bağlantı dişi M	: EN 60423
Koruma sınıfı	: IP 68 5 bar
Isıya direnci	: - 40 °C + 100 °C
Conta	: Termoplastik vulkanize TPV
O-ring	: Nitril kauçuk



## METRIC THREAD CABLE GLANDS

AG Thread	Code	H mm	GL mm	B mm	C mm	mm
M 12 x 1,5	OMBG 01	19	6	14	14	3 - 6,5
M 16 x 1,5	OMBG 02	21	7	18	17	4 - 8
M 20 x 1,5	OMBG 03	23	8	22	22	6 - 12
M 25 x 1,5	OMBG 04	24	8	27	24	10 - 14
M 32 x 1,5	OMBG 05	25	9	34	30	13 - 18
M 40 x 1,5	OMBG 06	31	9	43	40	18 - 25
M 50 x 1,5	OMBG 07	37	9	55	50	22 - 32
M 63 x 1,5	OMBG 08	38	14	68	64	34 - 44

## LONG METRIC CABLE GLANDS

M 12 x 1,5	OMBG 09	19	12	14	14	3 - 6,5
M 16 x 1,5	OMBG 10	21	12	18	17	4 - 8
M 20 x 1,5	OMBG 11	23	12	22	22	6 - 12
M 25 x 1,5	OMBG 12	24	12	27	24	10 - 14
M 32 x 1,5	OMBG 13	25	14	34	30	13 - 18
M 40 x 1,5	OMBG 14	31	14	43	40	18 - 25
M 50 x 1,5	OMBG 15	37	14	55	50	22 - 32
M 63 x 1,5	OMBG 16	38	18	68	64	34 - 44

PRODUCT RANGE OVERVIEW

IP 68

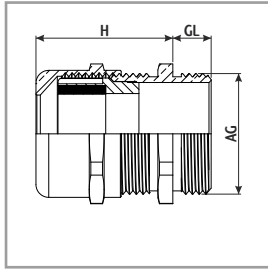
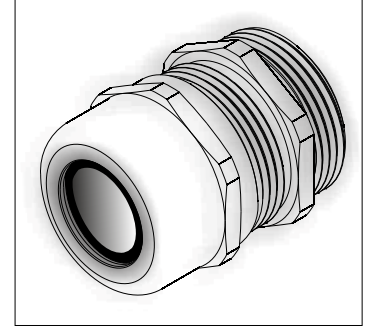
Halogen free

## ORTAC METAL CABLE GLANDS SERIES

Metal series are separated from other cable glands due to the following characteristics;

- Brass, nickel plated
- High heat and impact resistance
- TPV rubber seal
- Ensures a firm grip on the cable that each point equal to 360°
- Connection thread norm (DIN 40430)
- IP68 protection class
- Permanent heat resistance -40 °C +100 °C
- Halogen free (not contain poisonous gas)
- Nitrile butadiene rubber (NBR O-ring)

## METAL CABLE GLANDS STANDARD TYPE BRASS



### ETANJ PİRİNÇ RAKOR

Hammaddesi	: Pirinç, nikel kaplı
Kablo tutucu	: Polyamid
Bağlantı dişi PG	: DIN 40430
Koruma sınıfı	: IP 68 5 bar
Isıya direnci	: - 40 °C + 100 °C
Conta	: Termoplastik vulkanize TPV
O-ring	: Nitril kauçuk



### PG THREAD CABLE GLANDS

AG Thread	Code	H mm	GL mm	mm	mm
PG 7	OPBG 01	19	6	14	3 - 6,5
PG 9	OPBG 02	21	6	17	4 - 8
PG 11	OPBG 03	22	6	20	5 - 10
PG 13,5	OPBG 04	23	6,5	22	6 - 12
PG 16	OPBG 05	24	6,5	24	10 - 14
PG 21	OPBG 06	25	7	30	13 - 18
PG 29	OPBG 07	31	8	40	18 - 25
PG 36	OPBG 08	37	10	50	22 - 32
PG 42	OPBG 09	37	12	57	30 - 38
PG 48	OPBG 10	38	14	64	34 - 44

### LONG PG CABLE GLANDS

PG 7	OPBG 11	19	10	14	3 - 6,5
PG 9	OPBG 12	21	10	17	4 - 8
PG 11	OPBG 13	22	10	20	5 - 10
PG 13,5	OPBG 14	23	10	22	6 - 12
PG 16	OPBG 15	24	10	24	10 - 14
PG 21	OPBG 16	25	12	30	13 - 18
PG 29	OPBG 17	31	12	40	18 - 25
PG 36	OPBG 18	37	14	50	22 - 32
PG 42	OPBG 19	37	18	57	30 - 38
PG 48	OPBG 20	38	18	64	34 - 44

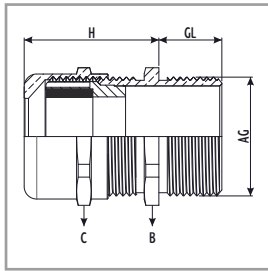
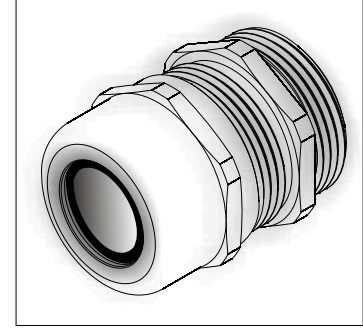


## ORTAC METAL CABLE GLANDS SERIES

Metal series are separated from other cable glands due to the following characteristics;

- Brass, nickel plated
- High heat and impact resistance
- TPV rubber seal
- Ensures a firm grip on the cable that each point equal to 360°
- Connection thread norm (DIN 40430 / EN 60423)
- IP68 protection class
- Permanent heat resistance -40 °C +100 °C
- Halogen free (not contain poisonous gas)
- Nitrile butadiene rubber (NBR O-ring)

## METAL CABLE GLANDS SPECIAL LONG TYPE BRASS



### ÖZEL UZUN DIŞ ETANJ PİRİNÇ RAKOR

Hammaddesi	: Pirinç, nikel kaplı
Kablo tutucu	: Polyamid
Bağlantı dişi M	: EN 60423
Bağlantı dişi PG	: DIN 40430
Koruma sınıfı	: IP 68 5 bar
Isıya direnci	: - 40 °C + 100 °C
Conta	: Termoplastik vulkanize TPV
O-ring	: Nitril kauçuk

SPECIAL LONG



### METRIC/PG THREAD CABLE GLANDS

AG Thread	Code	H mm	GL mm	B mm	C mm	mm
M 12 x 1,5	OMBGL 01	19	25	14	14	3 - 6,5
M 16 x 1,5	OMBGL 02	21	25	18	17	4 - 8
M 20 x 1,5	OMBGL 03	23	25	22	22	6 - 12
M 25 x 1,5	OMBGL 04	24	25	27	24	10 - 14
M 32 x 1,5	OMBGL 05	25	25	34	30	13 - 18
M 40 x 1,5	OMBGL 06	31	25	43	40	18 - 25
PG 7	OPBGL 01	19	25	14		3 - 6,5
PG 9	OPBGL 02	21	25	17		4 - 8
PG 11	OPBGL 03	22	25	20		5 - 10
PG 13,5	OPBGL 04	23	25	22		6 - 12
PG 16	OPBGL 05	24	25	24		10 - 14
PG 21	OPBGL 06	25	25	30		13 - 18
PG 29	OPBGL 07	31	25	40		18 - 25

PRODUCT RANGE OVERVIEW

IP 68

Halogen free

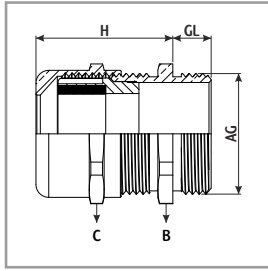
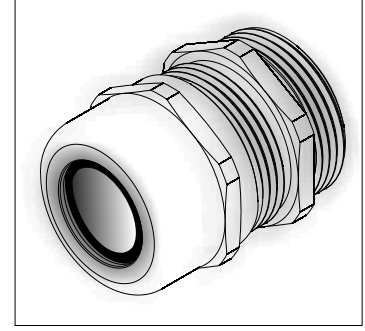


## ORTAC STAINLESS STEEL CABLE GLANDS SERIES

Stainless steel cable glands have following features;

- Stainless steel
- High heat and impact resistance
- TPV rubber seal
- Stainless steel raw material (1.4305/AISI 303) (1.4404/AISI316L)
- Ensures a firm grip on the cable that each point equal to 360°
- Connection thread norm (DIN 40430 / EN 60423)
- IP68 protection class
- Permanent heat resistance -40 °C +100 °C
- Halogen free (not contain poisonous gas)
- Nitrile butadiene rubber (NBR O-ring)

## METAL CABLE GLANDS STANDARD TYPE STAINLESS STEEL



### ETANJ PİRİNÇ RAKOR

Hammaddesi	: Paslanmaz Çelik (1.4305/AISI 303) (1.4404/AISI316L)
Kablo tutucu	: Polyamid
Bağlantı dişi M	: EN 60423
Bağlantı dişi PG	: DIN 40430
Koruma sınıfı	: IP 68 5 bar
Isıya direnci	: - 40 °C + 100 °C
Conta	: Termoplastik vulkanize TPV
O-ring	: Nitril kauçuk



### METRIC/PG THREAD CABLE GLANDS

PRODUCT RANGE OVERVIEW

AG Thread	Code	H mm	GL mm	B mm	C mm	mm
M 12 x 1,5	OMSG 01	19	6	14	14	3 - 6,5
M 16 x 1,5	OMSG 02	21	7	18	17	4 - 8
M 20 x 1,5	OMSG 03	23	8	22	22	6 - 12
M 25 x 1,5	OMSG 04	24	8	27	24	10 - 14
M 32 x 1,5	OMSG 05	25	9	34	30	13 - 18
M 40 x 1,5	OMSG 06	31	9	43	40	18 - 25
M 50 x 1,5	OMSG 07	37	9	55	50	22 - 32
M 63 x 1,5	OMSG 08	38	14	68	64	34 - 44
PG 7	OPSG 01	19	6	14		3 - 6,5
PG 9	OPSG 02	21	6	17		4 - 8
PG 11	OPSG 03	22	6	20		5 - 10
PG 13.5	OPSG 04	23	6,5	22		6 - 12
PG 16	OPSG 05	24	6,5	24		10 - 14
PG 21	OPSG 06	25	7	30		13 - 18
PG 29	OPSG 07	31	8	40		18 - 25
PG 36	OPSG 08	37	10	50		22 - 32
PG 42	OPSG 09	37	12	57		30 - 38
PG 48	OPSG 10	38	14	64		34 - 44

IP 68

Halogen free

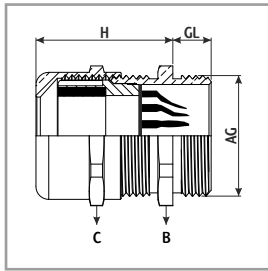
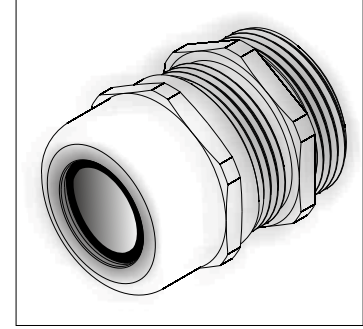


## ORTAC METAL CABLE GLANDS SERIES

EMC types are separated from other cable glands due to the following characteristics;

- Brass, nickel plated
- High heat and impact resistance
- TPV rubber seal
- Ensures a firm grip on the cable that each point equal to 360°
- Connection thread norms (DIN 40430 / EN 60423)
- IP68 protection class
- Permanent heat resistance -40 °C +100 °C
- Halogen free (not contain poisonous gas)
- Nitrile butadiene rubber (NBR O-ring)
- For a quick installation of partially dismantled cables as well as thoroughly shielded cables
- EMC stands for Electromagnetic compatibility- thus the degree of the influence of feathers or radiations designated who of an installation, equipment or an other electrical or electronic plant goes out.

## METAL CABLE GLANDS EMC TYPE BRASS



### EMC TİP PİRİNÇ RAKOR

Hammaddesi	: Pirinç, nikel kaplı
Kablo tutucu	: Polyamid
Bağlantı dişi M	: EN 60423
Bağlantı dişi PG	: DIN 40430
Koruma sınıfı	: IP 68 5 bar
Isıya direnci	: - 40 °C + 100 °C
Conta	: Termoplastik vulkanize TPV
O-ring	: Nitril kauçuk



### METRIC/PG THREAD CABLE GLANDS

AG Thread	Code	H mm	GL mm	B mm	C mm	mm
M 12 x 1,5	OMBT 01	19	6	14	14	3 - 6,5
M 16 x 1,5	OMBT 02	21	7	18	17	4 - 8
M 20 x 1,5	OMBT 03	23	8	22	22	6 - 12
M 25 x 1,5	OMBT 04	24	8	27	24	10 - 14
M 32 x 1,5	OMBT 05	25	9	34	30	13 - 18
M 40 x 1,5	OMBT 06	31	9	43	40	18 - 25
M 50 x 1,5	OMBT 07	37	9	55	50	22 - 32
M 63 x 1,5	OMBT 08	38	14	68	64	34 - 44
PG 7	OPBT 01	19	6	14		3 - 6,5
PG 9	OPBT 02	21	6	17		4 - 8
PG 11	OPBT 03	22	6	20		5 - 10
PG 13.5	OPBT 04	23	6,5	22		6 - 12
PG 16	OPBT 05	24	6,5	24		10 - 14
PG 21	OPBT 06	25	7	30		13 - 18
PG 29	OPBT 07	31	8	40		18 - 25
PG 36	OPBT 08	37	10	50		22 - 32
PG 42	OPBT 09	37	12	57		30 - 38
PG 48	OPBT 10	38	14	64		34 - 44

PRODUCT RANGE OVERVIEW

IP 68

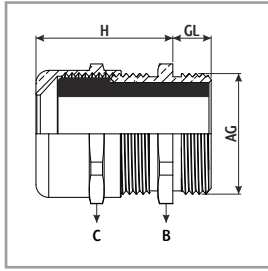
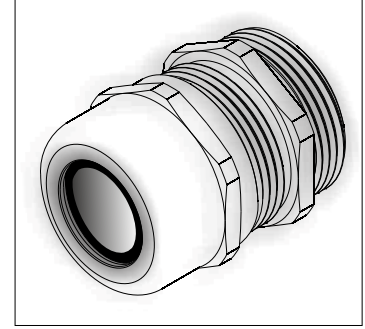
Halogen free

## ORTAC METAL CABLE GLANDS SERIES

Metal series are separated from other cable glands due to the following characteristics;

- Brass, nickel plated
- High heat and impact resistance
- Silicone seal
- Ensures a firm grip on the cable that each point equal to 360°
- Connection thread norms (DIN 40430 / EN 60423)
- IP68 protection class
- Permanent heat resistance -40 °C +200 °C
- Halogen free (not contain poisonous gas)
- Silicone O-ring

## METAL CABLE GLANDS STANDARD TYPE SILICONE SEAL



### SİLİKON CANTALI ETANJ PİRİNÇ RAKOR

Hammaddesi	: Pirinç, nikel kaplı
Bağlantı dişi M	: EN 60423
Bağlantı dişi PG	: DIN 40430
Koruma sınıfı	: IP 68 5 bar
Isıya direnci	: - 40 °C + 200 °C
Conta	: Silikon
O-ring	: Silikon



### METRIC/PG THREAD CABLE GLANDS

PRODUCT RANGE OVERVIEW

AG Thread	Code	H mm	GL mm	B mm	C mm	mm
M 12 x 1,5	MBGS 01	19	6	14	14	3 - 6,5
M 16 x 1,5	MBGS 02	21	7	18	17	4 - 8
M 20 x 1,5	MBGS 03	23	8	22	22	6 - 12
M 25 x 1,5	MBGS 04	24	8	27	24	10 - 14
M 32 x 1,5	MBGS 05	25	9	34	30	13 - 18
M 40 x 1,5	MBGS 06	31	9	43	40	18 - 25
M 50 x 1,5	MBGS 07	37	9	55	50	22 - 32
M 63 x 1,5	MBGS 08	38	14	68	64	34 - 44
PG 7	PBGS 01	19	6	14		3 - 6,5
PG 9	PBGS 02	21	6	17		4 - 8
PG 11	PBGS 03	22	6	20		5 - 10
PG 13.5	PBGS 04	23	6,5	22		6 - 12
PG 16	PBGS 05	24	6,5	24		10 - 14
PG 21	PBGS 06	25	7	30		13 - 18
PG 29	PBGS 07	31	8	40		18 - 25
PG 36	PBGS 08	37	10	50		22 - 32
PG 42	PBGS 09	37	12	57		30 - 38
PG 48	PBGS 10	38	14	64		34 - 44

IP 68

Halogen free

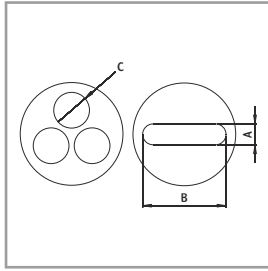
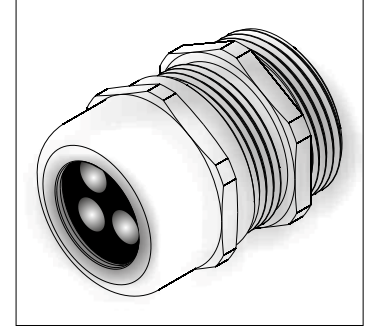


## ORTAC METAL CABLE GLANDS SERIES

Multihole - flathole types are separated from other cable glands due to the following characteristics;

- Brass, nickel plated
- High heat and impact resistance
- TPV rubber seal
- Ensures a firm grip on the cable that each point equal to 360°
- Connection thread norm (EN 60423)
- IP65 protection class
- Permanent heat resistance -40 °C +100 °C
- Halogen free (not contain poisonous gas)
- Nitrile butadiene rubber (NBR O-ring)
- Multiple hole options

## METAL CABLE GLANDS STANDARD TYPE/BRASS MULTIHOLE - FLATHOLE



### MULTİ PİRİNÇ RAKOR

Hammaddesi	: Pirinç, nikel kaplı
Kablo tutucu	: Polyamid
Bağlantı dişi M	: EN 60423
Koruma sınıfı	: IP 65
Isıya direnci	: - 40 °C + 100 °C
Conta	: Termoplastik vulkanize TPV
O-ring	: Nitril kauçuk

### METRIC THREAD CABLE GLANDS

AG Thread	Code	Number of Holes	C mm
M 16 x 1,5	OMBG 02A3	2	3
M 16 x 1,5	OMBG 02B3	3	3
M 16 x 1,5	OMBG 02C3	4	3
M 20 x 1,5	OMBG 03A5	2	5
M 20 x 1,5	OMBG 03A6	2	6
M 20 x 1,5	OMBG 03B4	3	4
M 20 x 1,5	OMBG 03B5	3	5
M 25 x 1,5	OMBG 04A4	2	4
M 25 x 1,5	OMBG 04A7	2	7
M 25 x 1,5	OMBG 04B4	3	4
M 25 x 1,5	OMBG 04B6	3	6
M 25 x 1,5	OMBG 04C5	4	5
M 32 x 1,5	OMBG 05A8	2	8
M 32 x 1,5	OMBG 05A9	2	9
M 32 x 1,5	OMBG 05B7	3	7
M 32 x 1,5	OMBG 05B8	3	8
M 32 x 1,5	OMBG 05C7	4	7
M 32 x 1,5	OMBG 05G3	8	3
M 32 x 1,5	OMBG 05G4	8	4
M 40 x 1,5	OMBG 06C9	4	9
M 40 x 1,5	OMBG 06O3	16	3
M 50 x 1,5	OMBG 07E8	6	8

### FLATHOLE METRIC CABLE GLANDS

		A / mm	B / mm
M 25 x 1,5	YMBG 06	7	13
M 32 x 1,5	YMBG 07	7	15
M 40 x 1,5	YMBG 08	8	22
M 50 x 1,5	YMBG 09	10	28
M 63 x 1,5	YMBG 10	14	45

PRODUCT RANGE OVERVIEW

IP 65

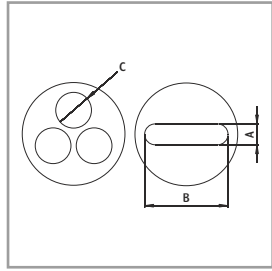
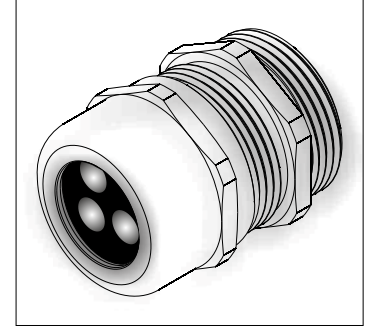
Halogen free

## ORTAC METAL CABLE GLANDS SERIES

Multihole - flathole types are separated from other cable glands due to the following characteristics;

- Brass, nickel plated
- High heat and impact resistance
- TPV rubber seal
- Ensures a firm grip on the cable that each point equal to 360°
- Connection thread norm (DIN 40430)
- IP65 protection class
- Permanent heat resistance -40 °C +100 °C
- Halogen free (not contain poisonous gas)
- Nitrile butadiene rubber (NBR O-ring)
- Multiple hole options

## METAL CABLE GLANDS STANDARD TYPE/BRASS MULTIHOLE - FLATHOLE



### MULTİ PİRİNÇ RAKOR

Hammaddesi	: Pirinç, nikel kaplı
Kablo tutucu	: Polyamid
Bağlantı dişi PG	: DIN 40430
Koruma sınıfı	: IP 65
Isıya direnci	: - 40 °C + 100 °C
Conta	: Termoplastik vulkanize TPV
O-ring	: Nitril kauçuk

### PG THREAD CABLE GLANDS

PRODUCT RANGE OVERVIEW

AG Thread	Code	Number of Holes	C mm
PG 9	OPBG 02A3	2	3
PG 9	OPBG 02B3	3	3
PG 9	OPBG 02C3	4	3
PG 11	OPBG 03A4	2	4
PG 11	OPBG 03A5	2	5
PG 11	OPBG 03B4	3	4
PG 11	OPBG 03B5	3	5
PG 13,5	OPBG 04A5	2	5
PG 13,5	OPBG 04A6	2	6
PG 13,5	OPBG 04B4	3	4
PG 13,5	OPBG 04B5	3	5
PG 16	OPBG 05A4	2	4
PG 16	OPBG 05A7	2	7
PG 16	OPBG 05B4	3	4
PG 16	OPBG 05B6	3	6
PG 16	OPBG 05C5	4	5
PG 21	OPBG 06A8	2	8
PG 21	OPBG 06A9	2	9
PG 21	OPBG 06B7	3	7
PG 21	OPBG 06B8	3	8
PG 21	OPBG 06C7	4	7
PG 21	OPBG 06G3	8	3
PG 21	OPBG 06G4	8	4
PG 29	OPBG 07C9	4	9
PG 29	OPBG 07O3	16	3
PG 36	OPBG 06E8	6	8
FLATHOLE PG CABLE GLANDS		A / mm	B / mm
PG 16	YPBG 05	7	13
PG 21	YPBG 06	7	15
PG 29	YPBG 07	8	22
PG 36	YPBG 08	10	28
PG 42	YPBG 09	12	33
PG 48	YPBG 10	14	45

IP 65

Halogen free

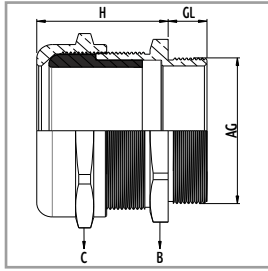
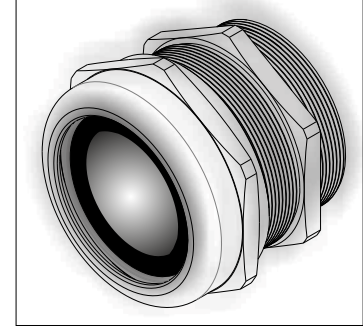


## ORTAC METAL CABLE GLANDS SERIES

Special size metal series are separated from other cable glands due to the following characteristics;

- Brass, nickel plated
- High heat and impact resistance
- EPDM (Ethylene Propylene Diene Monomer) rubber seal
- Ensures a firm grip on the cable that each point equal to 360°
- Connection thread norm (EN 60423)
- IP68 protection class
- Permanent heat resistance -40 °C + 140 °C
- Halogen free (not contain poisonous gas)
- Nitrile butadiene rubber (NBR O-ring)

## METAL CABLE GLANDS SPECIAL TYPE BRASS




### ÖZEL BOY ETANJ PİRİNÇ RAKOR

Hammaddesi	: Pirinç, nikel kaplı
Bağlantı dişi M	: EN 60423
Koruma sınıfı	: IP 68 5 bar
Isıya direnci	: - 40 °C + 140 °C
Conta	: EPDM (Etilen-Propilen-Dien-Monomer)
O-ring	: Nitril kauçuk



### SPECIAL TYPE CABLE GLANDS

AG Thread	Code	H mm	GL mm	B mm	C mm	 mm
M 63 x 1,5	OMBG 17	48	15	70	75	45 - 55
M 75 x 1,5	OMBG 18S	48	20	85	75	45 - 55
M 75 x 1,5	OMBG 18	58	20	90	90	50 - 63
M 80 x 2,0	OMBG 1880	58	20	90	90	50 - 63
M 90 x 2,0	OMBG 19	61	20	100	100	60 - 70
2 ½"	ONBG 18S	48	20	85	75	45 - 55
2 ½"	ONBG 18	58	20	90	90	50 - 63
3"	ONBG 19	61	20	100	100	60 - 70

PRODUCT RANGE OVERVIEW

IP 68

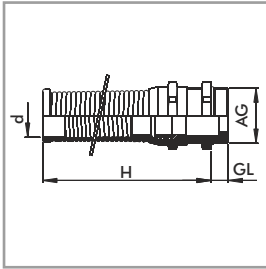
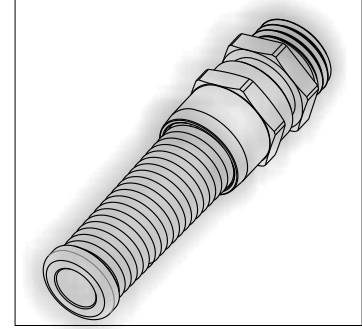
Halogen free

## ORTAC METAL CABLE GLANDS SERIES

Spiral type of metal cable glands are separated from other cable glands due to the following characteristics;

- Brass, nickel plated
- Spiral spring part made of stainless steel (1.4310/AISI302)
- High heat and impact resistance
- TPV rubber seal
- Ensures a firm grip on the cable that each point equal to 360°
- Connection thread norms (DIN 40430 / EN 60423)
- IP68 protection class
- Permanent heat resistance -40 °C +100 °C
- Halogen free (not contain poisonous gas)
- Nitrile butadiene rubber (NBR O-ring)
- Bending of cable action that provides freedom of movement

## METAL CABLE GLANDS SPIRAL TYPE BRASS



### SPİRAL UÇLU PİRİNÇ RAKOR

Hammaddesi	: Pirinç, nikel kaplı
Spiral yay hammaddesi	: Paslanmaz çelik (1.4310/AISI302)
Kablo tutucu	: Polyamid
Bağlantı dişi M	: EN 60423
Bağlantı dişi PG	: DIN 40430
Koruma sınıfı	: IP 68
Isıya direnci	: - 40 °C + 100 °C
Conta	: Termoplastik vulkanize TPV
O-ring	: Nitril kauçuk

### METRIC/PG THREAD CABLE GLANDS

AG Thread	Code	H mm	GL mm	d mm	mm	mm
M 12 x 1,5	STCG 01	55	6	6,8	14	3 - 6,5
M 16 x 1,5	STCG 02	66	7	8,2	18	4 - 8
M 20 x 1,5	STCG 03	88	8	12,3	22	6 - 12
M 25 x 1,5	STCG 04	98	8	14,3	27	10 - 14

### LONG METRIC SPIRAL CABLE GLANDS

M 12 x 1,5	STCGL 01	55	12	6,8	14	3 - 6,5
M 16 x 1,5	STCGL 02	66	12	8,2	18	4 - 8
M 20 x 1,5	STCGL 03	88	12	12,3	22	6 - 12
M 25 x 1,5	STCGL 04	98	12	14,3	27	10 - 14

PG 7	STPG 01	55	6	6,8	14	3 - 6,5
PG 9	STPG 02	66	6	8,2	17	4 - 8
PG 11	STPG 03	77	6	10,3	20	5 - 10
PG 13,5	STPG 04	88	6,5	12,3	22	6 - 12
PG 16	STPG 05	98	6,5	14,3	24	10 - 14
PG 21	STPG 06	111	7	18,4	30	13 - 18

### LONG PG SPIRAL CABLE GLANDS

PG 7	STPGL 01	55	10	6,8	14	3 - 6,5
PG 9	STPGL 02	66	10	8,2	17	4 - 8
PG 11	STPGL 03	77	10	10,3	20	5 - 10
PG 13,5	STPGL 04	88	10	12,3	22	6 - 12
PG 16	STPGL 05	98	10	14,3	24	10 - 14
PG 21	STPGL 06	111	12	18,4	30	13 - 18

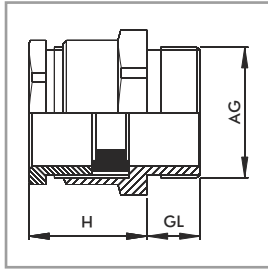
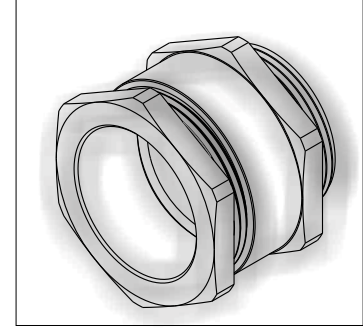


## ORTAC METAL CABLE GLANDS SERIES

Flat type of metal series are separated from other cable glands due to the following characteristics;

- Brass, nickel plated
- High heat and impact resistance
- TPV rubber seal
- Ensures a firm grip on the cable that each point equal to 360°
- Connection thread norms (DIN 40430 / EN 60423)
- IP54 protection class
- Permanent heat resistance -40 °C +100 °C
- Halogen free (not contain poisonous gas)
- Nitrile butadiene rubber (NBR O-ring)

## A2 METAL CABLE GLANDS FLAT TYPE BRASS





### DÜZ TİP PİRİNÇ RAKOR

Hammaddesi	: Pirinç, nikel kaplı
Bağlantı dişi M	: EN 60423
Bağlantı dişi PG	: DIN 40430
Koruma sınıfı	: IP 54
Isıya direnci	: - 40 °C + 100 °C
Conta	: Termoplastik vulkanize TPV
O-ring	: Nitril kauçuk



### METRIC/PG THREAD CABLE GLANDS

AG Thread	Code	H mm	GL mm	 mm	 mm
M 12 x 1,5	DOMR 01	16	5	14	3,5 - 6
M 16 x 1,5	DOMR 02	17	5	18	4,5 - 7
M 20 x 1,5	DOMR 03	19	6	22	9 - 12
M 25 x 1,5	DOMR 04	20,5	7	27	11 - 14
M 32 x 1,5	DOMR 05	22,5	8	34	14 - 18
M 40 x 1,5	DOMR 06	25	8	45	18 - 25
M 50 x 1,5	DOMR 07	30	9	55	25 - 32
M 63 x 1,5	DOMR 08	47	15	70	38 - 44
M 63 x 1,5	DOMR 09	47	15	70	40 - 49
PG 7	DOPR 01	16	5	14	3,5 - 6
PG 9	DOPR 02	17	6	17	4,5 - 7
PG 11	DOPR 03	18	6	20	6 - 9
PG 13,5	DOPR 04	19	6,5	22	9 - 12
PG 16	DOPR 05	20,5	6,5	24	11 - 14
PG 21	DOPR 06	22,5	7	30	14 - 18
PG 29	DOPR 07	25	8	40	18 - 25
PG 36	DOPR 08	30	9	50	25 - 32
PG 42	DOPR 09	34	10	60	30 - 38
PG 48	DOPR 10	47	15	70	38 - 44
PG 48	DOPR 11	47	15	70	40 - 49

PRODUCT RANGE OVERVIEW

IP 54

Halogen free

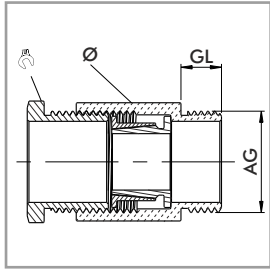
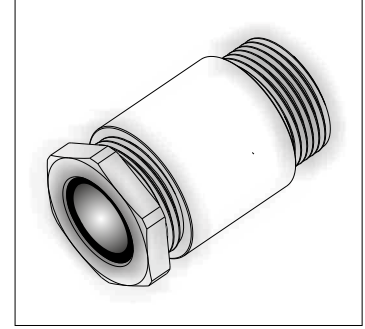


## ORTAC METAL CABLE GLANDS SERIES

Following characteristics;

- Brass, nickel plated (optional)
- High heat and impact resistance
- TPV rubber seal
- Ensures a firm grip on the cable that each point equal to 360°
- IP54 protection class
- Permanent heat resistance -40 °C +100 °C
- Halogen free (not contain poisonous gas)
- Nitrile butadiene rubber (NBR O-ring)
- Mostly used in armoured cable assembling

## METAL CABLE GLANDS FOR ARMOURED CABLES BRASS





### TOPRAKLAMALI RAKOR

Hammaddesi	: Pirinç, nikel kaplı
Koruma sınıfı	: IP 54
Isıya direnci	: - 40 °C + 100 °C
O-ring	: Nitril kauçuk



### METRIC THREAD CABLE GLANDS

AG Thread	Code	GL mm	Ø mm	 mm	 mm
M 16 x 1,5	MACG16A	9	20	20	10,5
M 18 x 1,5	MACG18A	10	22	22	11,5
M 18 x 1,5	MACG18B	10	22	22	11,5 - 12,5
M 24 x 1,5	MACG24A	11	28	27	11,5
M 24 x 1,5	MACG24B	11	28	27	11,5 - 13,5
M 24 x 1,5	MACG24C	11	28	27	13,3 - 16,5
M 30 x 2,0	MACG30A	12	35	32	16,5 - 18
M 30 x 2,0	MACG30B	12	35	32	18 - 19,5
M 30 x 2,0	MACG30C	12	35	32	19,5 - 20,5
M 36 x 2,0	MACG36A	13	40	40	20,5 - 22,5
M 36 x 2,0	MACG36B	13	40	40	22,5 - 25,5
M 45 x 2,0	MACG45A	14	50	50	25,5 - 27,5
M 45 x 2,0	MACG45B	14	50	50	27,5 - 31,5
M 56 x 2,0	MACG56A	15	62	60	31,5 - 34
M 56 x 2,0	MACG56B	15	62	60	34 - 37,5
M 56 x 2,0	MACG56C	15	62	60	37,5 - 41
M 72 x 2,0	MACG72A	16	78	75	41 - 46
M 72 x 2,0	MACG72B	16	78	75	46 - 50,5

PRODUCT RANGE OVERVIEW

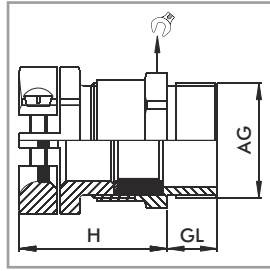
IP 54



## ORTAC METAL CABLE GLANDS SERIES

Flat type with traction relief series are separated from other cable glands due to the following characteristics;

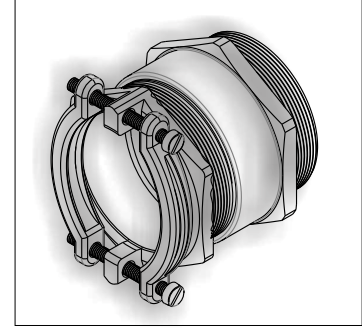
- Brass, nickel plated
- High heat and impact resistance
- TPV rubber seal
- Ensures a firm grip on the cable that each point equal to 360°
- Connection thread norms (DIN 40430 / EN 60423)
- IP54 protection class
- Permanent heat resistance -40 °C +100 °C
- Halogen free (not contain poisonous gas)
- Nitrile butadiene rubber (NBR O-ring)
- Squeeze the cable strongly



### KELEPÇELİ PİRİNÇ RAKOR



Hammaddesi	: Pirinç, nikel kaplı
Bağlantı dişi M	: EN 60423
Bağlantı dişi PG	: DIN 40430
Koruma sınıfı	: IP 54
Isıya direnci	: - 40 °C + 100 °C
Conta	: Termoplastik vulkanize TPV
O-ring	: Nitril kauçuk

## METAL CABLE GLANDS WITH TRACTION RELIEF BRASS



### METRIC/PG THREAD CABLE GLANDS

PRODUCT RANGE OVERVIEW

AG Thread	Code	H mm	GL mm	 mm	 mm
M 12 x 1,5	OKMR 01	22	5	14	3,5 - 6
M 16 x 1,5	OKMR 02	25	5	18	4,5 - 7
M 20 x 1,5	OKMR 03	26,5	6	22	9 - 12
M 25 x 1,5	OKMR 04	32	7	27	11 - 14
M 32 x 1,5	OKMR 05	35	8	34	14 - 18
M 40 x 1,5	OKMR 06	41	8	45	18 - 25
M 50 x 1,5	OKMR 07	44	9	55	25 - 32
M 63 x 1,5	OKMR 08	59	15	70	38 - 44
M 63 x 1,5	OKMR 09	59	15	70	40 - 49
PG 7	OKPR 01	22	5	14	3,5 - 6
PG 9	OKPR 02	25	6	17	4,5 - 7
PG 11	OKPR 03	26	6	20	6 - 9
PG 13,5	OKPR 04	26,5	6,5	22	9 - 12
PG 16	OKPR 05	28	6,5	24	11 - 14
PG 21	OKPR 06	32	7	30	14 - 18
PG 29	OKPR 07	35	8	40	18 - 25
PG 36	OKPR 08	41	9	50	25 - 32
PG 42	OKPR 09	44	10	60	30 - 38
PG 48	OKPR 10	59	15	70	38 - 44
PG 48	OKPR 11	59	15	70	40 - 49

IP 54

Halogen free

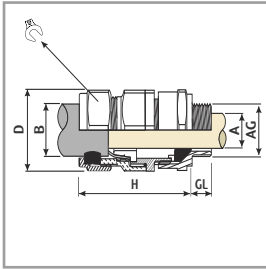
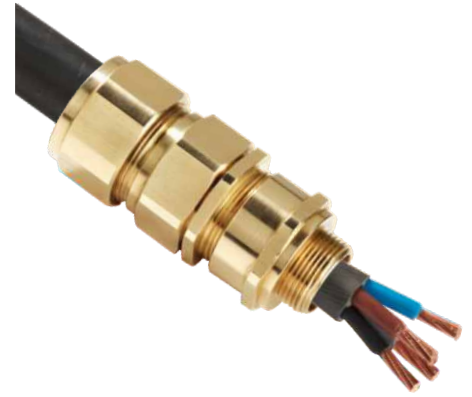
## E1W INDUSTRIAL CABLE GLANDS



Following characteristics;

- Brass, nickel plated (optional)
- Single wire armour (SWA)
- TPV rubber seal
- Connection thread norm (EN 60423)
- IP66 (IP67 - IP68) protection class
- Permanent heat resistance -40 °C +100 °C
- Halogen free (not contain poisonous gas)
- Nitrile butadiene rubber (NBR O-ring)
- Mostly used in armoured cable assembling
- Squeeze the cable in a powerful way
- Available in three variations such as aluminum, brass (with or without nickel plated), stainless steel.

## METAL CABLE GLANDS INDUSTRIAL TYPE BRASS



### ZIRHLI KABLOR İÇİN METAL RAKOR

Hammaddesi	: Piriç
Bağlantı dişi M	: EN 60423
Koruma sınıfı	: IP 66 (IP67 - IP68)
Isiya direnci	: - 40 °C + 100 °C
Conta	: Termoplastik vulkanize TPV
O-ring	: Nitril kauçuk

\* İstenilediği takdirde alüminyum ve paslanmaz çelik materyalden üretimi yapılmaktadır.

### METRIC/NPT THREAD CABLE GLANDS

Cable Gland Size	AG Thread		GL mm	A Cable diameter		B Cable diameter		H mm	D mm	mm
	Metric	NPT		Ø min.	Ø max.	Ø min.	Ø max.			
20S	M 20 x 1,5	1/2"	10	6	11,5	9,5	16	63	25,9	24
20	M 20 x 1,5	1/2"	10	6,5	14	12,5	21	67	32,9	30
25S	M 25 x 1,5	3/4"	10	11	20	14	22	78	40,5	38
25	M 25 x 1,5	3/4"	10	11	20	18	26	78	40,5	38
32	M 32 x 1,5	1"	10	17	26	23,5	34	78	49,7	46
40	M 40 x 1,5	1 1/4"	15	22	32	28	40	83	59,4	55
50S	M 50 x 1,5	1 1/2"	15	29	38	35	46	78	64,8	60
50	M 50 x 1,5	2"	15	36	44	40	53	81	75,6	70
63S	M 63 x 1,5	2"	15	40	50	45	59	93	81	75
63	M 63 x 1,5	2 1/2"	15	47	56	54	65	95	86,4	80
75S	M 75 x 1,5	2 1/2"	15	53	62	59	72	103	96,1	90
75	M 75 x 1,5	3"	15	59	68	67	78	110	106,9	100
90	M 90 x 2,0	3"	15	67	80	76	90	136	123,1	114
100	M 100 x 2,0	4"	15	76	91	86	101	145	132,8	123

PRODUCT RANGE OVERVIEW

IP 66 (IP67 - IP68)

Halogen free

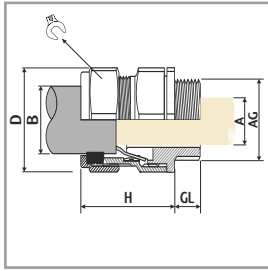


## CW TYPE INDUSTRIAL CABLE GLANDS



- Brass, nickel plated (optional)
- Single wire armour (SWA)
- TPV rubber seal
- Connection thread norm (EN 60423)
- IP66 protection class
- Permanent heat resistance -40 °C +100 °C
- Halogen free (not contain poisonous gas)
- Nitrile butadiene rubber (NBR O-ring)
- Mostly used in armoured cable assembling
- Squeeze the cable in a powerful way
- Available in three variations such as aluminum, brass (with or without nickel plated), stainless steel.

## METAL CABLE GLANDS INDUSTRIAL TYPE BRASS



### ZIRHLI KABLOR İÇİN METAL RAKOR

Hammaddesi	: Piriç
Bağlantı dişi M	: EN 60423
Koruma sınıfı	: IP 66
Isıya direnci	: - 40 °C + 100 °C
Conta	: Termoplastik vulkanize TPV
O-ring	: Nitril kauçuk

\* İstenildiği takdirde alüminyum ve paslanmaz çelik materyalden üretimi yapılmaktadır.



### METRIC/NPT THREAD CABLE GLANDS

Cable Gland Size	AG Thread		GL mm	A Cable diameter		B Cable diameter		H mm	D mm	mm
	Metric	NPT		Ø max.	Ø min.	Ø max.				
20S	M 20 x 1,5	1/2"	10	11,5	9,5	16	43	25,9	24	
20	M 20 x 1,5	1/2"	10	14	12,5	21	50	32,9	30	
25S	M 25 x 1,5	3/4"	10	20	14	22	55	40,5	38	
25	M 25 x 1,5	3/4"	10	20	18	26	55	40,5	38	
32	M 32 x 1,5	1"	10	26	23,5	34	58	49,7	46	
40	M 40 x 1,5	1 1/4"	15	32	28	40	55	59,4	55	
50S	M 50 x 1,5	1 1/2"	15	38	35	46	56	64,8	60	
50	M 50 x 1,5	2"	15	44	40	53	70	75,6	70	
63S	M 63 x 1,5	2"	15	50	45	59	70	81	75	
63	M 63 x 1,5	2 1/2"	15	56	54	65	80	86,4	80	
75S	M 75 x 1,5	2 1/2"	15	62	59	72	81	96,1	90	
75	M 75 x 1,5	3"	15	68	67	78	96	106,9	100	
90	M 90 x 2,0	3"	15	80	76	90	120	123,1	114	
100	M 100 x 2,0	4"	15	91	86	101	140	132,8	123	

PRODUCT RANGE OVERVIEW

IP 66

Halogen free

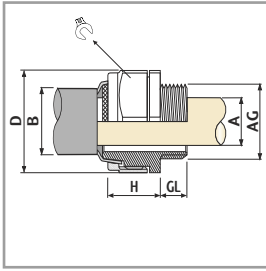
## BW INDUSTRIAL TYPE CABLE GLANDS



Following characteristics;

- Brass, nickel plated (optional)
- Single wire armour (SWA)
- Connection thread norm (EN 60423)
- Continuous heat resistance -80 °C +300 °C
- Nitrile butadiene rubber (NBR O-ring)
- Mostly used in armoured cable assembling
- Available in three variations such as aluminum, brass (with or without nickel plated), stainless steel.

## METAL CABLE GLANDS INDUSTRIAL TYPE BRASS



### ZIRHLI KABLOR İÇİN METAL RAKOR

Hammaddesi	: Piriç
Bağlantı dişi M	: EN 60423
Isıya direnci	: -80 °C + 300 °C
O-ring	: Nitril kauçuk

\* İstenildiği takdirde alüminyum ve paslanmaz çelik materyalden üretimi yapılmaktadır.

### METRIC/NPT THREAD CABLE GLANDS

Cable Gland Size	AG Thread		GL mm	A Cable diameter Ø max.	B Cable diameter Ø max.	H mm	D mm	Ø mm
	Metric	NPT						
20S	M 20 x 1,5	1/2"	10	11,5	16	18	24	22
20	M 20 x 1,5	1/2"	10	14	21	22	30	28
25	M 25 x 1,5	3/4"	10	20	26	26	36	34
32	M 32 x 1,5	1"	10	26	34	28	44,5	42
40	M 40 x 1,5	1 1/4"	15	32	40	30	56,3	50
50S	M 50 x 1,5	1 1/2"	15	38	46	30	63,4	60
50	M 50 x 1,5	2"	15	44	53	32	72,1	60
63S	M 63 x 1,5	2"	15	50	59	38	83	65
63	M 63 x 1,5	2 1/2"	15	56	65	38	88,7	80
75S	M 75 x 1,5	2 1/2"	15	62	72	40	99,8	90
75	M 75 x 1,5	3"	15	68	78	40	105,3	95

PRODUCT RANGE OVERVIEW



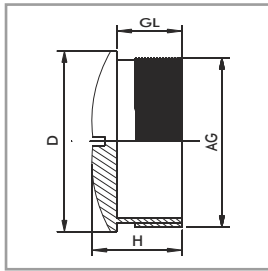
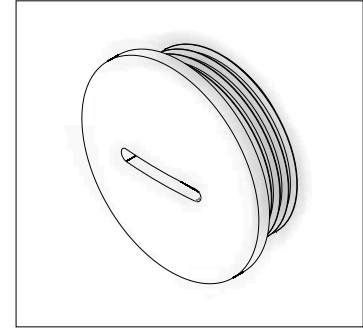
## ORTAC METAL BLIND STOPS SERIES



Brass, nickel plated blind stops are separated from other cable glands due to the following characteristics;

- Brass, nickel plated
- Connection thread norms (DIN 40430 / EN 60423)
- IP68 protection class
- Nitrile butadiene rubber (NBR O-ring)

## METAL BLIND STOPS BRASS



### PİRİNÇ KÖRTAPA

Hammaddesi	: Pirinç, nikel kaplı
Bağlantı dişi M	: EN 60423
Bağlantı dişi PG	: DIN 40430
Koruma sınıfı	: IP 68
O-ring	: Nitril kauçuk



### METRIC/PG THREAD BLIND STOPS

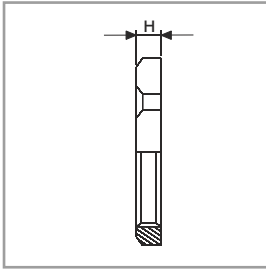
AG Thread	Code	H mm	GL mm	D mm
M 12 x 1,5	OMBK 01	7,5	5	14
M 16 x 1,5	OMBK 02	8	5	18
M 20 x 1,5	OMBK 03	9,5	6,5	22
M 25 x 1,5	OMBK 04	11	7	28
M 32 x 1,5	OMBK 05	12	8	35
M 40 x 1,5	OMBK 06	13	8,5	44
M 50 x 1,5	OMBK 07	15	9	54
M 63 x 1,5	OMBK 08	16	10	67
PG 7	OPBK 01	8	5	14
PG 9	OPBK 02	9	6	17
PG 11	OPBK 03	9	6	20
PG 13,5	OPBK 04	9,5	6,5	22
PG 16	OPBK 05	9,5	6,5	24
PG 21	OPBK 06	11	7	30
PG 29	OPBK 07	12	8	39
PG 36	OPBK 08	15	9	50
PG 42	OPBK 09	16	10	57
PG 48	OPBK 10	16	10	64

## ORTAC METAL LOCK NUTS SERIES

Following characteristics;

- Brass, nickel plated
- High heat and impact resistance
- Connection thread norms (DIN 40430 / EN 60423)
- Mostly used in every units of brass PG & Metric threads assembling

## METAL LOCK NUTS BRASS




### PİRİNÇ SOMUN

Hammaddesi	: Pirinç, nikel kaplı
Bağlantı dişi M	: EN 60423
Bağlantı dişi PG	: DIN 40430

### METRIC/PG THREAD LOCK NUTS

PRODUCT RANGE OVERVIEW

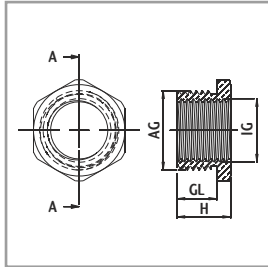
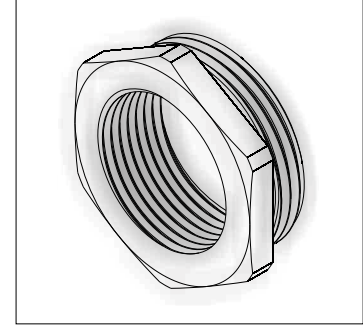
AG Thread	Code	H mm	 mm
M 12 x 1,5	OMBL 01	2,8	15
M 16 x 1,5	OMBL 02	3	19
M 20 x 1,5	OMBL 03	3,5	24
M 25 x 1,5	OMBL 04	3,5	30
M 32 x 1,5	OMBL 05	4	36
M 40 x 1,5	OMBL 06	4	45
M 50 x 1,5	OMBL 07	5	55
M 63 x 1,5	OMBL 08	5	68
PG 7	OPBL 01	2,8	15
PG 9	OPBL 02	2,8	18
PG 11	OPBL 03	3	21
PG 13,5	OPBL 04	3	23
PG 16	OPBL 05	3	26
PG 21	OPBL 06	3,5	32
PG 29	OPBL 07	4	40
PG 36	OPBL 08	5	50
PG 42	OPBL 09	5	60
PG 48	OPBL 10	5,5	64



## ORTAC METAL REDUCERS SERIES

- Brass, nickel plated
- High heat and impact resistance
- Connection thread norms (DIN 40430 / EN 60423)
- IP68 protection class
- Nitrile butadiene rubber (NBR O-ring)

## METAL REDUCERS BRASS



### PİRİNÇ REDÜKSİYON

Hammaddesi	: Pirinç, nikel kaplı
Bağlantı dişi M	: EN 60423
Bağlantı dişi PG	: DIN 40430
Koruma sınıfı	: IP 68
O-ring	: Nitril kauçuk



Type 1



Type 2

### METRIC/PG THREAD REDUCERS

AG Thread	Code	IG mm	H mm	GL mm	Type 1 mm	Type 2 Ø mm
M 16 x 1,5	M16RM12	M 12 x 1,5	9	6	18	18
M 20 x 1,5	M20RM12	M 12 x 1,5	9	6	22	24
M 20 x 1,5	M20RM16	M 16 x 1,5	9	6	22	24
M 25 x 1,5	M25RM16	M 16 x 1,5	10	7	27	30
M 25 x 1,5	M25RM20	M 20 x 1,5	10	7	27	30
M 32 x 1,5	M32RM16	M 16 x 1,5	11	8	34	35
M 32 x 1,5	M32RM20	M 20 x 1,5	11	8	34	35
M 32 x 1,5	M32RM25	M 25 x 1,5	11	8	34	35
M 40 x 1,5	M40RM20	M 20 x 1,5	12	8	45	45
M 40 x 1,5	M40RM25	M 25 x 1,5	12	8	45	45
M 40 x 1,5	M40RM32	M 32 x 1,5	12	8	45	45
M 50 x 1,5	M50RM25	M 25 x 1,5	14	10	55	55
M 50 x 1,5	M50RM32	M 32 x 1,5	14	10	55	55
M 50 x 1,5	M50RM40	M 40 x 1,5	14	10	55	55
M 63 x 1,5	M63RM32	M 32 x 1,5	14	10	65	68
M 63 x 1,5	M63RM40	M 40 x 1,5	14	10	65	68
M 63 x 1,5	M63RM50	M 50 x 1,5	14	10	65	68
PG 9	P9RP7	PG 7	9	6	17	17
PG 11	P11RP7	PG 7	9	6	20	20
PG 11	P11RP9	PG 9	9	6	20	20
PG 13,5	P13,5RP9	PG 9	9,5	6,5	22	22
PG 13,5	P13,5RP11	PG 11	9,5	6,5	22	-
PG 16	P16RP9	PG 9	9,5	6,5	24	24
PG 16	P16RP11	PG 11	9,5	6,5	24	24
PG 16	P16RP13,5	PG 13,5	9,5	6,5	24	-
PG 21	P21RP11	PG 11	11	7	30	30
PG 21	P21RP13,5	PG 13,5	11	7	30	30
PG 21	P21RP16	PG 16	11	7	30	30
PG 29	P29RP16	PG 16	12	8	40	40
PG 29	P29RP21	PG 21	12	8	40	40
PG 36	P36RP21	PG 21	13	9	50	50
PG 36	P36RP29	PG 29	13	9	50	50
PG 42	P42RP29	PG 29	14	10	60	59
PG 42	P42RP36	PG 36	14	10	60	59
PG 48	P48RP36	PG 36	14	10	65	64
PG 48	P48RP42	PG 42	14	10	65	64

PRODUCT RANGE OVERVIEW

IP 68

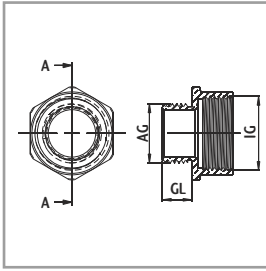
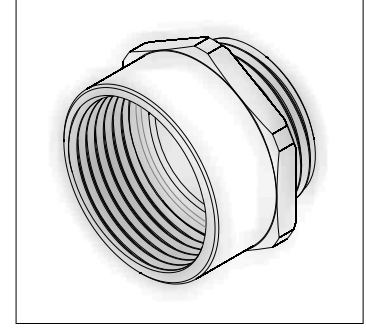


## ORTAC METAL ENLARGERS SERIES

Following characteristics;

- Brass, nickel plated
- High heat and impact resistance
- Connection thread norms (DIN 40430 / EN 60423)
- Both PG and Metric threads are able to enlargement
- Nitrile butadiene rubber (NBR O-ring)

## METAL ENLARGERS METRIC-METRIC/PG-PG BRASS



### BÜYÜTÜCÜ PİRİNÇ REDÜKSİYON

Hammaddesi	: Pirinç, nikel kaplı
Bağlantı dişi M	: EN 60423
Bağlantı dişi PG	: DIN 40430
O-ring	: Nitril kauçuk

### METRIC/PG THREAD ENLARGERS

PRODUCT RANGE OVERVIEW

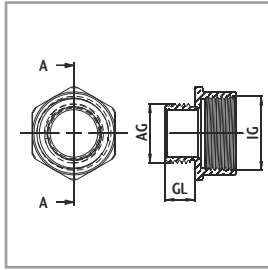
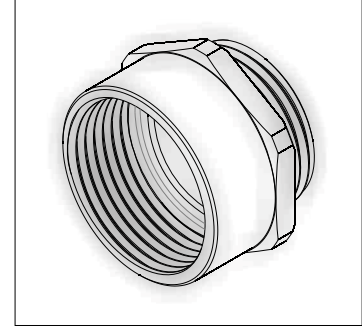
AG Thread	Code	IG mm	GL mm	mm
M 12 x 1,5	M12EM16	M 16 x 1,5	6	18
M 16 x 1,5	M16EM20	M 20 x 1,5	6	22
M 20 x 1,5	M20EM25	M 25 x 1,5	6	27
M 25 x 1,5	M25EM32	M 32 x 1,5	7	34
M 32 x 1,5	M32EM40	M 40 x 1,5	8	45
M 40 x 1,5	M40EM50	M 50 x 1,5	8	55
M 50 x 1,5	M50EM63	M 63 x 1,5	10	70
PG 7	P7EP9	PG 9	6	18
PG 9	P9EP11	PG 11	6	21
PG 11	P11EP13,5	PG 13,5	6	23
PG 13,5	P13,5EP16	PG 16	6	25
PG 16	P16EP21	PG 21	7	32
PG 21	P21EP29	PG 29	7	42
PG 29	P29EP36	PG 36	8	50
PG 36	P36EP42	PG 42	9	60
PG 42	P42EP48	PG 48	10	65


**ORTAC METAL ADAPTERS SERIES**

Following characteristics;

- Brass, nickel plated
- High heat and impact resistance
- Connection thread norms (DIN 40430 / EN 60423)
- Threaded adapters easily convert or mate PG or Metric threads to each other.
- Nitrile butadiene rubber (NBR O-ring)


# METAL ADAPTERS METRIC-PG/PG-METRIC BRASS

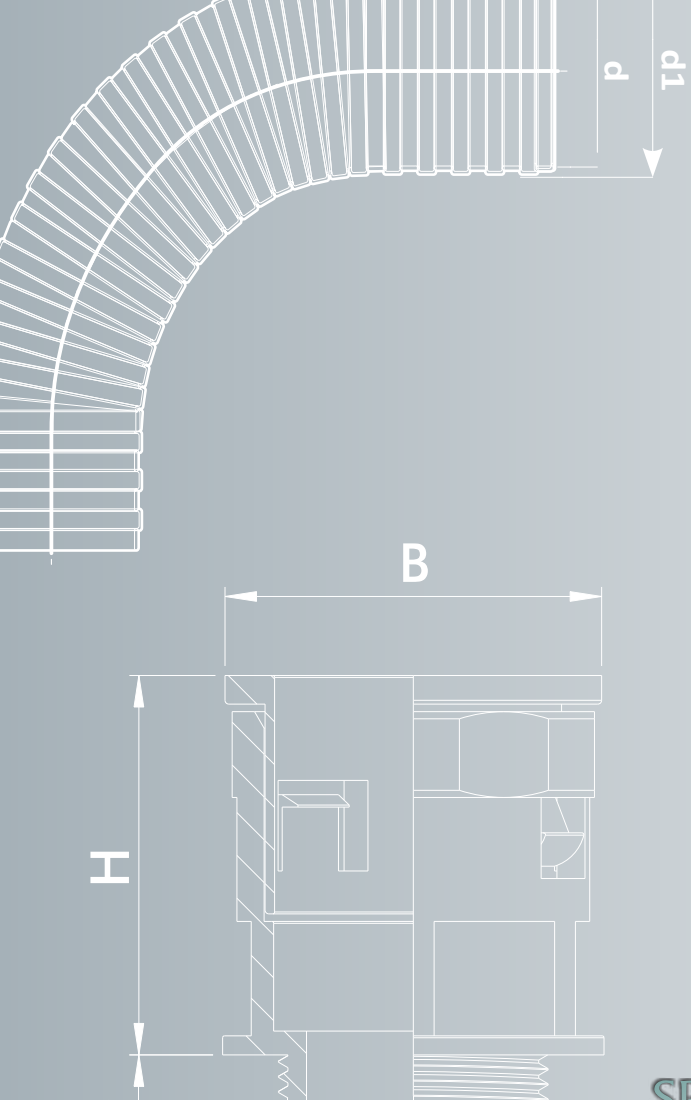

**PİRİNÇ ADAPTÖR**

Hammaddesi	: Pirinç, nikel kaplı
Bağlantı dişi M	: EN 60423
Bağlantı dişi PG	: DIN 40430
O-ring	: Nitril kauçuk

**METRIC/PG THREAD ADAPTERS**

PRODUCT RANGE OVERVIEW

AG Thread	Code	IG mm	GL mm	 mm
M 12 x 1,5	M12AP7	PG 7	6	14
M 12 x 1,5	M12AP9	PG 9	6	17
M 16 x 1,5	M16AP11	PG 11	6	21
M 20 x 1,5	M20AP11	PG 11	6	22
M 20 x 1,5	M20AP13,5	PG 13,5	6	23
M 25 x 1,5	M25AP16	PG 16	7	27
M 25 x 1,5	M25AP21	PG 21	7	32
M 32 x 1,5	M32AP29	PG 29	8	42
M 40 x 1,5	M40AP29	PG 29	8	45
M 50 x 1,5	M50AP36	PG 36	10	55
M 50 x 1,5	M50AP42	PG 42	10	60
M 63 x 1,5	M63AP48	PG 48	10	65
PG 7	P7AM12	M 12 x 1,5	6	14
PG 9	P9AM16	M 16 x 1,5	6	19
PG 11	P11AM16	M 16 x 1,5	6	21
PG 13,5	P13,5AM20	M 20 x 1,5	6	23
PG 16	P16AM20	M 20 x 1,5	7	25
PG 16	P16AM25	M 25 x 1,5	7	28
PG 21	P21AM25	M 25 x 1,5	7	30
PG 21	P21AM32	M 32 x 1,5	7	35
PG 29	P29AM40	M 40 x 1,5	8	45
PG 36	P36AM50	M 50 x 1,5	9	55
PG 42	P42AM63	M 63 x 1,5	10	70



## SPIRAL CONDUITS & FITTINGS SYSTEMS





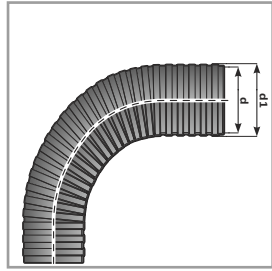
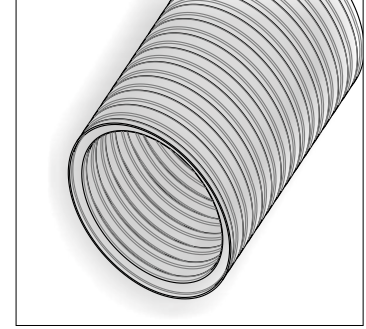
## TACFLEX POLYAMIDE SPIRAL CONDUITS



A new brand by ORTAC

- Polyamide raw material
- High flexibility and high fatigue life
- High impact strength 350 N
- Resistance to solvents and oils, low acids
- Gray (RAL 7031) & Black (RAL 9005) color options
- Ultraviolet resistance (black)
- Temperature range -40 °C+ 120 °C
- Abrasion resistant
- Mechanic equipment and machine production, aviation and aerospace industries, general industrial areas, malls, lightning and electrical installation panel, automotive sector

## PLASTIC SPIRAL CONDUITS PA 6



### PA6 SİRAL BORU

Hammaddesi	: Polyamid 6
Renk	: RAL 7031 (Gri) RAL 9005 (Siyah)
Çalışma sıcaklığı	: -40 °C + 120 °C
Kullanım alanları	: Mekanik ve ekipman cihaz bağlantılarında makine, matbaa, otomotiv, lokomotif, tramvay, gemi otomatik makineleri, endüstriyel tesis montajlarında, aydınlatma ve elektrik pano montajlarında kullanılmaktadır.



### PA6 SİRAL CONDUITS

Nominal Diameter	Gray Code	Black Code	d	d1	Roll Length mt.
	■ RAL 7031	■ RAL 9005	Ø mm.	Ø mm.	
7	OGPA 7	OSPA 7	6,5	10	100
8,5	OGPA 8,5	OSPA 8,5	8,5	12	100
9	OGPA 9	OSPA 9	10	13	100
11	OGPA 11	OSPA 11	12	15,8	50
13,5	OGPA 13,5	OSPA 13,5	14,2	18,4	50
16	OGPA 16	OSPA 16	16,5	21,2	50
21	OGPA 21	OSPA 21	23	28,4	50
29	OGPA 29	OSPA 29	29	34,5	25
36	OGPA 36	OSPA 36	36	42,5	25
48	OGPA 48	OSPA 48	48	54,5	25

PRODUCT RANGE OVERVIEW

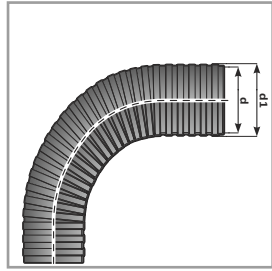
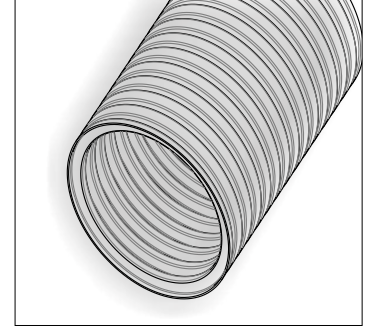
Hydrogen free

## TACFLEX POLYPROPYLENE SPIRAL CONDUITS



- Polyamide raw material
- High flexibility and high fatigue life
- Resistance to solvents and oils, low acids
- Gray (RAL 7031) and Siyah (RAL 9005) color options
- Ultraviolet resistance (black)
- Temperature range -20 °C + 90 °C
- Abrasion resistant
- Mechanic equipment and machine production, aviation and aerospace industries, general industrial areas, malls, lighting and electrical installation panel, automotive sector

## PLASTIC SPIRAL CONDUITS POLYPROPYLENE



### PP SİRİAL BORU

- Hammaddesi : Polipropilen  
Renk : RAL 7031 (Gri)  
RAL 9005 (Siyah)  
Çalışma sıcaklığı : -20 °C + 90 °C  
Kullanım alanları : Mekanik ve ekipman cihaz bağlantılarında makine, matbaa, otomotiv, lokomotif, tramvay, gemi otomatik makinaları, endüstriyel tesis montajlarında, aydınlatma ve elektrik pano montajlarında kullanılmaktadır.



### PP SİRİAL CONDUITS

Nominal Diameter	Color Code		d Ø mm.	d1 Ø mm.	Roll Length mt.
	Gray Code ■ RAL 7031	Black Code ■ RAL 9005			
7	OGPP 7	OSPP 7	6,5	10	100
8,5	OGPP 8,5	OSPP 8,5	8,5	12	100
9	OGPP 9	OSPP 9	10	13	100
11	OGPP 11	OSPP 11	12	15,8	50
13,5	OGPP 13,5	OSPP 13,5	14,2	18,4	50
16	OGPP 16	OSPP 16	16,5	21,2	50
21	OGPP 21	OSPP 21	23	28,4	50
29	OGPP 29	OSPP 29	29	34,5	25
36	OGPP 36	OSPP 36	36	42,5	25
48	OGPP 48	OSPP 48	48	54,5	25

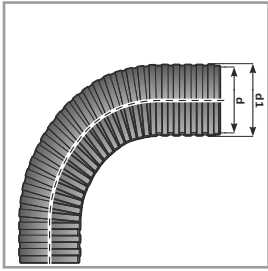
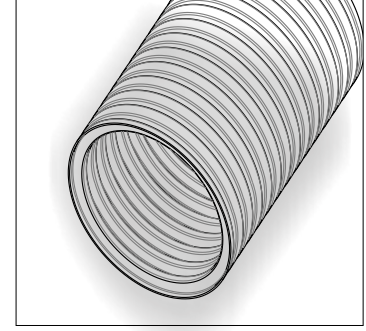
PRODUCT RANGE OVERVIEW

Hydrogen free


**TACFLEX POLYAMIDE SPIRAL CONDUITS -SPLIT TYPE-**

- Polyamide raw material
- High flexibility and high fatigue life
- High impact strength 350 N
- Resistance to solvents and oils, low acids
- Gray (RAL 7031) & Black (RAL 9005) color options
- Ultraviolet resistance (black)
- Temperature range -40 °C + 120 °C
- Abrasion resistant
- Mechanic equipment and machine production, aviation and aerospace industries, general industrial areas, malls, lightning and electrical installation panel, automotive sector

## PLASTIC SPIRAL CONDUITS PA 6/SPLIT TYPE


**PA6 YARIKLI TİP SİRİL BORU**

- Hammaddesi : Polyamid 6  
 Renk : RAL 7031 (Gri)  
 RAL 9005 (Siyah)  
 Çalışma sıcaklığı : -40 °C + 120 °C  
 Kullanım alanları : Mekanik ve ekipman cihaz bağlantılarında makine, matbaa, otomotiv, lokomotif, tramvay, gemi otomatik makineleri, endüstriyel tesis montajlarında, aydınlatma ve elektrik pano montajlarında kullanılmaktadır.


**SPLIT TYPE PA6 SPIRAL CONDUITS**

Nominal Diameter	Color Code		d Ø mm.	d1 Ø mm.	Roll Length mt.
	Gray Code ■ RAL 7031	Black Code ■ RAL 9005			
7	OGPAY 7	OSPAY 7	6,5	10	100
8,5	OGPAY 8,5	OSPAY 8,5	8,5	12	100
9	OGPAY 9	OSPAY 9	10	13	100
11	OGPAY 11	OSPAY 11	12	15,8	50
13,5	OGPAY 13,5	OSPAY 13,5	14,2	18,4	50
16	OGPAY 16	OSPAY 16	16,5	21,2	50
21	OGPAY 21	OSPAY 21	23	28,4	50
29	OGPAY 29	OSPAY 29	29	34,5	25
36	OGPAY 36	OSPAY 36	36	42,5	25
48	OGPAY 48	OSPAY 48	48	54,5	25

PRODUCT RANGE OVERVIEW

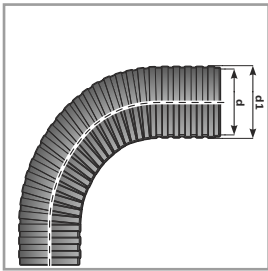
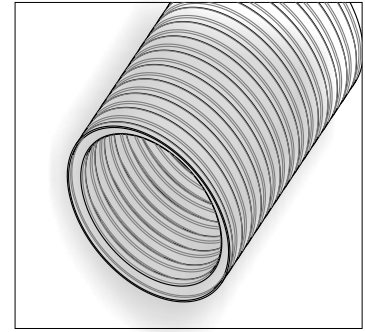
Halogen free

**TACFLEX PP SPIRAL CONDUITS -SPLIT TYPE-**



- Polypropylene raw material
- High flexibility and high fatigue life
- Resistance to solvents and oils, low acids
- Gray (RAL 7031) and Siyah (RAL 9005) color options
- Ultraviolet resistance (black)
- Temperature range -20 °C + 90 °C
- Abrasion resistant
- Mechanic equipment and machine production, aviation and aerospace industries, general industrial areas, malls, lighting and electrical installation panel, automotive sector

PLASTIC  
SPIRAL CONDUITS  
PP/SPLIT TYPE



**PP YARIKLI TİP SİRİL BORU**

- Hammaddesi : Polipropilen  
Renk : RAL 7031 (Gri)  
RAL 9005 (Siyah)  
Çalışma sıcaklığı : -20 °C + 90 °C  
Kullanım alanları : Mekanik ve ekipman cihaz bağlantılarında makine, matbaa, otomotiv, lokomotif, tramvay, gemi otomatik makinaları, endüstriyel tesis montajlarında, aydınlatma ve elektrik pano montajlarında kullanılmaktadır.



**SPLIT TYPE PP SPIRAL CONDUITS**

PRODUCT RANGE OVERVIEW

Nominal Diameter	Gray Code ■ RAL 7031	Black Code ■ RAL 9005	d Ø mm.	d1 Ø mm.	Roll Length mt.
7	OGPPY 7	OSPPY 7	6,5	10	100
8,5	OGPPY 8,5	OSPPY 8,5	8,5	12	100
9	OGPPY 9	OSPPY 9	10	13	100
11	OGPPY 11	OSPPY 11	12	15,8	50
13,5	OGPPY 13,5	OSPPY 13,5	14,2	18,4	50
16	OGPPY 16	OSPPY 16	16,5	21,2	50
21	OGPPY 21	OSPPY 21	23	28,4	50
29	OGPPY 29	OSPPY 29	29	34,5	25
36	OGPPY 36	OSPPY 36	36	42,5	25
48	OGPPY 48	OSPPY 48	48	54,5	25

Halogen free

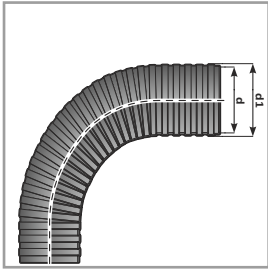
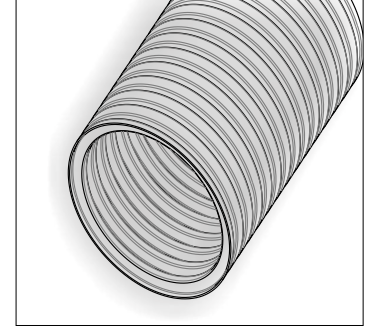


## TACFLEX POLYAMIDE -V0- SPIRAL CONDUITS



- Polyamide raw material
- Fire protection class V0 according to UL 94
- Non-flammable
- High flexibility and high fatigue life
- High impact strength 350 N
- Resistance to solvents and oils, low acids
- Gray (RAL 7031) & Black (RAL 9005) color options
- Ultraviolet resistance
- High temperature resistant
- Abrasion resistant
- Temperature range -40 °C + 120 °C
- Sum of the afterburning times for 10 ignition procedures max. 50 s.
- Mechanic equipment and machine production, aviation and aerospace industries, general industrial areas, malls, lighting and electrical installation panel, automotive sector

## PLASTIC SPIRAL CONDUITS PA 6 VO



### PA6 VO YARIKLI TİP SİRAL BORU

- Hammaddesi : Polyamid 6 VO  
 Renk : RAL 7031 (Gri)  
 RAL 9005 (Siyah)  
 Çalışma sıcaklığı : -40 °C + 120 °C  
 Kullanım alanları : Mekanik ve ekipman cihaz bağlantılarında makine, matbaa, otomotiv, lokomotif, tramvay, gemi otomatik makineleri, endüstriyel tesis montajlarında, aydınlatma ve elektrik pano montajlarında kullanılmaktadır.



### SPLIT TYPE PA6 VO SPIRAL CONDUITS

Nominal Diameter	Gray Code	Black Code	d	d1	Roll Length mt.
	■ RAL 7031	■ RAL 9005	Ø mm.	Ø mm.	
7	OGPAVO 7	OSPAVO 7	6,5	10	100
8,5	OGPAVO 8,5	OSPAVO 8,5	8,5	12	100
9	OGPAVO 9	OSPAVO 9	10	13	100
11	OGPAVO 11	OSPAVO 11	12	15,8	50
13,5	OGPAVO 13,5	OSPAVO 13,5	14,2	18,4	50
16	OGPAVO 16	OSPAVO 16	16,5	21,2	50
21	OGPAVO 21	OSPAVO 21	23	28,4	50
29	OGPAVO 29	OSPAVO 29	29	34,5	25
36	OGPAVO 36	OSPAVO 36	36	42,5	25
48	OGPAVO 48	OSPAVO 48	48	54,5	25

PRODUCT RANGE OVERVIEW

Halogen free



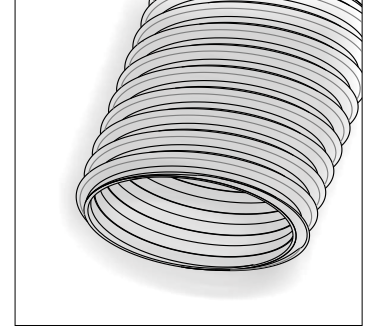
## TACFLEX PVC SPIRAL CONDUITS



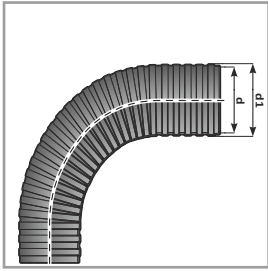
Spiral cable conduit for protecting electrical or telecommunications conductors propagation.

- Polyvinyl chloride
- Declared non propagating (CEI EN 50086-1)
- 500 N lengthening by approx. 30% of initial length
- Gray (RAL 7035)
- > 100 MΩ
- Temperature range -10 °C + 65 °C
- A - 5°C (0,25 - 1 kg): no breakage
- Check min. thickness: 2000 V at 50 Hz, for 15' (Dielectric rigidity)

## PLASTIC SPIRAL CONDUITS PVC



PVC SPIRAL CONDUITS



### PVC SİRAL BORU

Hammaddesi	: Sert PVC
Renk	: RAL 7035 (Gri)
İzolasyona dayanıklılık	: >100 MΩ
Basınca dayanıklılık	: 350 N
Sürekli ısıya direnci	: -10 °C + 65 °C
Referans standartları	: EN 50086-1 (CEI 23 - 39) EN 50086 - 2 - 3 (CEI 23 - 56) IEC EN 61386 - 1 - 2 - 3

### PRODUCT RANGE OVERVIEW

Gray Code ■ RAL 7035	d Ø mm.	d1 Ø mm.	Roll Length mt.
GGX 8	8	12	30
GGX 10	10	14,5	30
GGX 12	12	16,3	30
GGX 14	14	18,6	30
GGX 16	16	20,5	30
GGX 20	20	24,7	30
GGX 22	22	27	30
GGX 25	25	30,3	30
GGX 28	28	33,2	30
GGX 30	30	36	30
GGX 32	32	37,5	30
GGX 35	35	40,5	30
GGX 38	38	44,1	30
GGX 40	40	46,2	30
GGX 45	45	51,8	30
GGX 50	50	57	30

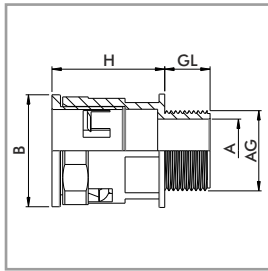
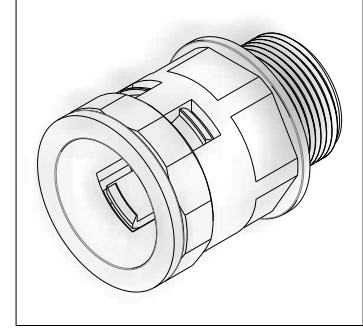


## TACFLEX POLYAMIDE CONDUIT GLANDS

Tacflex connectors are easily assembled and ensures strong mechanical resistance, maximum tensile strength, slippery surface for easy cable access of tube, halogen free, different color options..

- Polyamide raw material
- Inserted directly to pa6/pp spiral conduits
- Ensure safety usage
- Resistance to Ultraviolet rays
- Resistance to solvents and oils, low acids
- Connection thread norm (EN 60423)
- Gray (RAL 7031) & Black (RAL 9005) color options
- Ultraviolet resistance (black)
- Permanent heat resistant -30 °C + 80 °C

## POLYAMIDE CONDUIT GLANDS METRIC THREAD




### GEÇMELİ TİP SİRİL BORU RAKORU

Hammaddesi	: Polyamid
Renk	: RAL 7031 (Gri) RAL 9005 (Siyah)
Bağlantı Dişi M	: EN 60423
Çalışma sıcaklığı	: -30 °C + 80 °C



### METRIC CONDUIT GLANDS

AG mm.	Gray Code ■ RAL 7031	Black Code ■ RAL 9005	Spiral Diameter mm.	H mm.	GL mm.	A mm.	B mm.	 mm
M 12 x 1,5	ODG10-M12	ODB10-M12	6,5 x 10	26	11	6,9	18,7	15
M 12 x 1,5	ODG12-M12	ODB12-M12	8,5 x 12	26	11	8,2	20,7	17
M 16 x 1,5	ODG13-M16	ODB13-M16	10 x 13	26	11	10,8	21,7	18
M 16 x 1,5	ODG15-M16	ODB15-M16	12 x 15,8	26,5	11	10,9	26	20
M 20 x 1,5	ODG18-M20	ODB18-M20	14,2 x 18,4	31	11	14,7	28	23
M 20 x 1,5	ODG21-M20	ODB21-M20	16,5 x 21,2	33	13	15,2	32	27
M 25 x 1,5	ODG28-M25	ODB28-M25	23 x 28,4	39	16	18,7	39,5	34
M 32 x 1,5	ODG34-M32	ODB34-M32	29 x 34,5	43	16	25,7	46,5	40
M 40 x 1,5	ODG42-M40	ODB42-M40	36 x 42,5	45,5	16	32,7	55,5	50
M 63 x 1,5	ODG54-M63	ODB54-M63	48 x 54,5	47,5	16	51,4	67,5	62

### SPECIAL SIZE METRIC

M 12 x 1,5	ODG13-M12	ODB13-M12	10 x 13	26	11	8	21,7	18
M 20 x 1,5	ODG13-M20	ODB13-M20	10 x 13	26	11	10,5	21,7	18
M 20 x 1,5	ODG15-M20	ODB15-M20	12 x 15,8	26,5	11	13	26	20
M 16 x 1,5	ODG18-M16	ODB18-M16	14,2 x 18,4	31	11	10,3	28	23
M 25 x 1,5	ODG21-M25	ODB21-M25	16,5 x 21,2	33	13	18,6	32	27
M 32 x 1,5	ODG28-M32	ODB28-M32	23 x 28,4	39	16	26,8	39,5	34
M 40 x 1,5	ODG34-M40	ODB34-M40	29 x 34,5	43	16	32,6	46,5	40
M 50 x 1,5	ODG42-M50	ODB42-M50	36 x 42,5	45,5	16	40,2	55,5	50
M 50 x 1,5	ODG54-M50	ODB54-M50	48 x 54,5	47,5	16	43,1	67,5	62

PRODUCT RANGE OVERVIEW

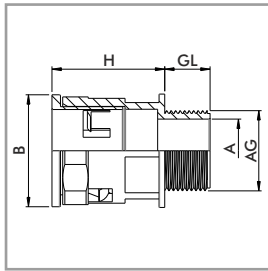
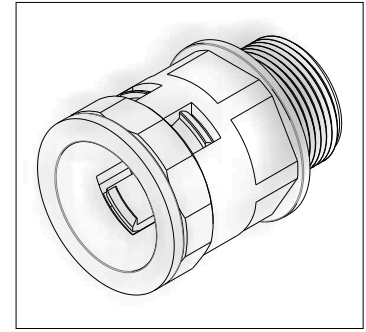
Hydrogen free

## TACFLEX POLYAMIDE CONDUIT GLANDS

Tacflex connectors are easily assembled and ensures strong mechanical resistance, maximum tensile strength, slippery surface for easy cable access of tube, halogen free, different color options..

- Polyamide raw materia
- Inserted directly to pa6/pp spiral conduits
- Ensure safety usage
- Resistance to Ultraviolet rays
- Resistance to solvents and oils, low acids
- Connection thread norm (DIN 40430)
- Gray (RAL 7031) & Black (RAL 9005) color options
- Ultraviolet resistance (black)
- Permanent heat resistant -30 °C + 80 °C

## POLYAMIDE CONDUIT GLANDS PG THREAD



### GEÇMELİ TİP SİRAL BORU RAKORU

Hammaddesi	: Polyamid
Renk	: RAL 7031 (Gri) RAL 9005 (Siyah)
Bağlantı Dişi PG	: DIN 40430
Çalışma sıcaklığı	: -30 °C + 80 °C



### PG CONDUIT GLANDS

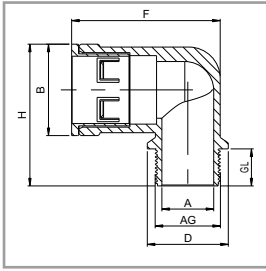
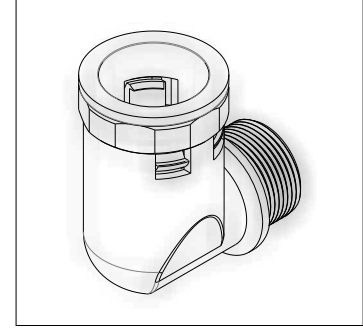
AG mm.	Gray Code ■ RAL 7031	Black Code ■ RAL 9005	Spiral Diameter mm.	H mm.	GL mm.	A mm.	B mm.	mm
PG 7	ODG10-PG7	ODB10-PG7	6,5 x 10	26	11	6,9	18,7	15
PG 7	ODG12-PG7	ODB12-PG7	8,5 x 12	26	11	8,2	20,7	17
PG 9	ODG13-PG9	ODB13-PG9	10 x 13	26	11	10,3	21,7	18
PG 11	ODG15-PG11	ODB15-PG11	12 x 15,8	26,5	11	13,3	26	20
PG 13,5	ODG18-PG13,5	ODB18-PG13,5	14,2 x 18,4	31	11	15,3	28	23
PG 16	ODG21-PG16	ODB21-PG16	16,5 x 21,2	33	13	16,6	32	27
PG 21	ODG28-PG21	ODB28-PG21	23 x 28,4	39	16	22,3	39,5	34
PG 29	ODG34-PG29	ODB34-PG29	29 x 34,5	43	16	31,7	46,5	40
PG 36	ODG42-PG36	ODB42-PG36	36 x 42,5	45,5	16	40,5	55,5	50
PG 48	ODG54-PG48	ODB54-PG48	48 x 54,5	47,5	16	51,7	67,5	62

### SPECIAL SIZE PG

PG 7	ODG13-PG7	ODB13-PG7	10 x 13	26	11	8	21,7	18
PG 11	ODG13-PG11	ODB13-PG11	10 x 13	26	11	10,6	21,7	18
PG 13,5	ODG13-PG13,5	ODB13-PG13,5	10 x 13	26	11	10,6	21,7	18
PG 9	ODG15-PG9	ODB15-PG9	12 x 15,8	26,5	11	11,8	26	20
PG 13,5	ODG15-PG13,5	ODB15-PG13,5	12 x 15,8	26,5	11	13	26	20
PG 9	ODG18-PG9	ODB18-PG9	14,2 x 18,4	31	11	11,8	28	23
PG 11	ODG18-PG11	ODB18-PG11	14,2 x 18,4	31	11	13,8	28	23
PG 13,5	ODG21-PG13,5	ODB21-PG13,5	16,5 x 21,2	33	13	15,9	32	27


**TACFLEX POLYAMIDE CONDUIT GLANDS -90° ELBOW-**
**Tacflex 90° elbow fittings**

- Polyamide raw material
- Inserted directly to pa6/pp spiral conduits
- Ensure safety usage
- Resistance to Ultraviolet rays
- Resistance to solvents and oils, low acids
- Connection thread norms (DIN 40430 / EN 60423)
- Gray (RAL 7031) & Black (RAL 9005) color options
- Ultraviolet resistance (black)
- Permanent heat resistant -30 °C + 80 °C
- 90° Design to protect cable from breaking

**POLYAMIDE  
CONDUIT GLANDS  
90° ELBOW TYPE**

**90° DİRSEK SİRAL BORU RAKORU**

- Hammaddesi : Polyamid  
 Renk : RAL 7031 (Gri)  
 RAL 9005 (Siyah)  
 Bağlantı Dişi M : EN 60423  
 Bağlantı Dişi PG : DIN 40430  
 Çalışma sıcaklığı : -30 °C + 80 °C

**METRIC/PG CONDUIT GLANDS**

AG mm.	Gray Code ■ RAL 7031	Black Code ■ RAL 9005	Spiral Diameter mm.	H mm.	GL mm.	A mm.	B mm.	D mm.	F mm.
M 12 x 1,5	ODDG10-M12	ODDB10-M12	6,5 x 10	36,3	11	8,2	18,7	17	35,7
M 12 x 1,5	ODDG12-M12	ODDB12-M12	8,5 x 12	37,3	11	8,2	20,7	17	35,7
M 16 x 1,5	ODDG13-M16	ODDB13-M16	10 x 13	37,3	11	10,8	21,7	20	38,5
M 16 x 1,5	ODDG15-M16	ODDB15-M16	12 x 15,8	41	11	10,9	26	23	43,8
M 20 x 1,5	ODDG18-M20	ODDB18-M20	14,2 x 18,4	44	11	14,7	28	26	46
M 20 x 1,5	ODDG21-M20	ODDB21-M20	16,5 x 21,2	51,5	13	15,2	32	29	51
M 25 x 1,5	ODDG28-M25	ODDB28-M25	23 x 28,4	61,2	16	18,7	39,5	35	64,3
M 32 x 1,5	ODDG34-M32	ODDB34-M32	29 x 34,5	69,2	16	25,6	46,5	43	70,9
M 40 x 1,5	ODDG42-M40	ODDB42-M40	36 x 42,5	78,2	16	32,7	55,5	54	88,6
M 63 x 1,5	ODDG54-M63	ODDB54-M63	48 x 54,5	91,2	16	55,2	67,5	69	95
PG 7	ODDG10-PG7	ODDB10-PG7	6,5 x 10	36,3	11	8,2	18,7	17	35,7
PG 7	ODDG12-PG7	ODDB12-PG7	8,5 x 12	37,3	11	8,2	20,7	17	35,7
PG 9	ODDG13-PG9	ODDB13-PG9	10 x 13	37,3	11	10,3	21,7	20	38,5
PG 11	ODDG15-PG11	ODDB15-PG11	12 x 15,8	41	11	13,3	26	23	43,8
PG 13,5	ODDG18-PG13,5	ODDB18-PG13,5	14,2 x 18,4	44	11	15,3	28	26	46
PG 16	ODDG21-PG16	ODDB21-PG16	16,5 x 21,2	51,5	13	16,6	32	29	51
PG 21	ODDG28-PG21	ODDB28-PG21	23 x 28,4	61,2	16	22,4	39,5	35	64,3
PG 29	ODDG34-PG29	ODDB34-PG29	29 x 34,5	69,2	16	31,7	46,5	43	70,9
PG 36	ODDG42-PG36	ODDB42-PG36	36 x 42,5	78,2	16	40,5	55,5	54	88,6
PG 48	ODDG54-PG48	ODDB54-PG48	48 x 54,5	91,2	16	51,7	67,5	69	95

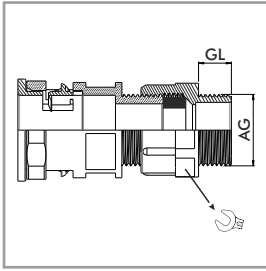
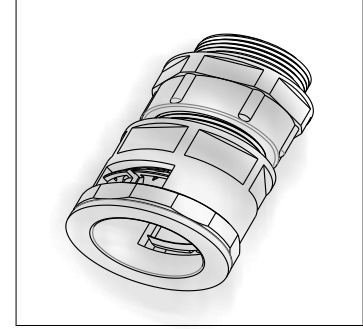
**PRODUCT RANGE OVERVIEW**

Halogen free

TACFLEX PA6 CONDUIT GLANDS WITH CABLE HOLDER

- Polyamide raw material
- Inserted directly to pa6/pp spiral conduits
- Ensure safety usage
- Resistance to Ultraviolet rays
- Resistance to solvents and oils, low acids
- Connection thread norms (DIN 40430 / EN 60423)
- Gray (RAL 7031) & Black (RAL 9005) color options
- Ultraviolet resistance (black)
- Permanent heat resistant -30 °C + 80 °C
- Extra cable holder part squeeze cable tightly

POLYAMIDE  
CONDUIT GLANDS  
WITH CABLE HOLDER



KABLO TUTUCULU GEÇMELİ TİP  
SİRAL BORU RAKORU

Hammaddesi	: Polyamid
Renk	: RAL 7031 (Gri) RAL 9005 (Siyah)
Bağlantı Dişi M	: EN 60423
Bağlantı Dişi PG	: DIN 40430
Çalışma sıcaklığı	: -30 °C + 80 °C

PG/METRIC CONDUIT GLANDS

PRODUCT RANGE OVERVIEW

AG Thread	Gray Code ■ RAL 7031	Black Code ■ RAL 9005	Spiral Diameter mm.	GL mm.	mm	mm
M12 x 1,5	ODGR10-M12	OBGR10-M12	6,5 x 10	8	15	3,5 - 6
M12 x 1,5	ODGR12-M12	OBGR12-M12	8,5 x 12	8	15	3,5 - 6
M16K x 1,5	ODGR13-M16K	OBGR13-M16K	10 x 13	8	19	4,5 - 7
M16K x 1,5	ODGR15-M16K	OBGR15-M16K	12 x 15,8	8	19	4,5 - 7
M16K x 1,5	ODGR18-M16K	OBGR18-M16K	14, 2 x 18,4	8	19	4,5 - 7
M16 x 1,5	ODGR13-M16	OBGR13-M16	10 x 13	8	22	6 - 9
M16 x 1,5	ODGR15-M16	OBGR15-M16	12 x 15,8	8	22	6 - 9
M16 x 1,5	ODGR18-M16	OBGR18-M16	14, 2 x 18,4	8	22	6 - 9
M20K x 1,5	ODGR13-M20K	OBGR13-M20K	10 x 13	9	24	9 - 12
M20K x 1,5	ODGR15-M20K	OBGR15-M20K	12 x 15,8	9	24	9 - 12
M20K x 1,5	ODGR18-M20K	OBGR18-M20K	14, 2 x 18,4	9	24	9 - 12
M20K x 1,5	ODGR21-M20K	OBGR21-M20K	16,5 x 21,2	9	24	9 - 12
M20 x 1,5	ODGR21-M20	OBGR21-M20	16,5 x 21,2	10	27	11 - 14
M25 x 1,5	ODGR28-M25	OBGR28-M25	23 x 28,4	11	33	14 - 18
PG7	ODGR10-PG7	OBGR10-PG7	6,5 x 10	8	15	3,5 - 6
PG7	ODGR12-PG7	OBGR12-PG7	8,5 x 12	8	15	3,5 - 6
PG9	ODGR13-PG9	OBGR13-PG9	10 x 13	8	19	4,5 - 7
PG9	ODGR15-PG9	OBGR15-PG9	12 x 15,8	8	19	4,5 - 7
PG9	ODGR18-PG9	OBGR18-PG9	14, 2 x 18,4	8	19	4,5 - 7
PG11	ODGR13-PG11	OBGR13-PG11	10 x 13	8	22	6 - 9
PG11	ODGR15-PG11	OBGR15-PG11	12 x 15,8	8	22	6 - 9
PG11	ODGR18-PG11	OBGR18-PG11	14, 2 x 18,4	8	22	6 - 9
PG13,5	ODGR13-PG13,5	OBGR13-PG13,5	10 x 13	9	24	9 - 12
PG13,5	ODGR15-PG13,5	OBGR15-PG13,5	12 x 15,8	9	24	9 - 12
PG13,5	ODGR18-PG13,5	OBGR18-PG13,5	14, 2 x 18,4	9	24	9 - 12
PG13,5	ODGR21-PG13,5	OBGR21-PG13,5	16,5 x 21,2	9	24	9 - 12
PG16	ODGR21-PG16	OBGR21-PG16	16,5 x 21,2	10	27	11 - 14
PG21	ODGR28-PG21	OBGR28-PG21	23 x 28,4	11	33	14 - 18
PG29	ODGR34-PG29	OBGR34-PG29	29 x 34,5	11	42	18 - 25
PG36	ODGR42-PG36	OBGR42-PG36	36 x 42,5	13	53	25 - 32

Halogen free

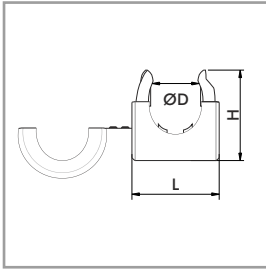
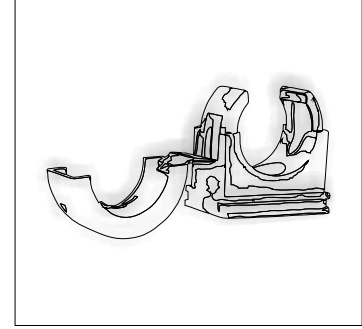


## TACFLEX POLYAMIDE CLIPS



- Polyamide raw material
- Inserted directly to pa6/pp spiral conduits
- Ensure safety usage
- Resistance to Ultraviolet rays
- Resistance to solvents and oils, low acids
- Gray (RAL 7031) & Black (RAL 9005) color options
- Ultraviolet resistance (black)
- Permanent heat resistant -30 °C + 80 °C

## POLYAMIDE CLIPS FOR SPIRAL CONDUITS



### POLYAMİD KAPAKLI KLİPS

- Hammaddesi : Polyamid 6  
 Renk : RAL 7031 (Gri)  
           RAL 9005 (Siyah)  
 Çalışma sıcaklığı : -30 °C + 80 °C



## POLYAMIDE CLIPS

Gray Code ■ RAL 7031	Black Code ■ RAL 9005	Suitable Spiral Code	L mm.	H mm.	Ø D mm.
ODGK 10	ODBK 10	OGPA 7	15	13	Ø 10
ODGK 13	ODBK 13	OGPA 9	18	15	Ø 13
ODGK 15	ODBK 15	OGPA 11	20	17	Ø 15,8
ODGK 18	ODBK 18	OGPA 13,5	23	19	Ø 18,4
ODGK 21	ODBK 21	OGPA 16	27	22,5	Ø 21,2
ODGK 28	ODBK 28	OGPA 21	34	29	Ø 28,4
ODGK 34	ODBK 34	OGPA 29	41	35	Ø 34,5
ODGK 42	ODBK 42	OGPA 36	53	41	Ø 42,5
ODGK 54	ODBK 54	OGPA 48	81	62	Ø 54,5

PRODUCT RANGE OVERVIEW

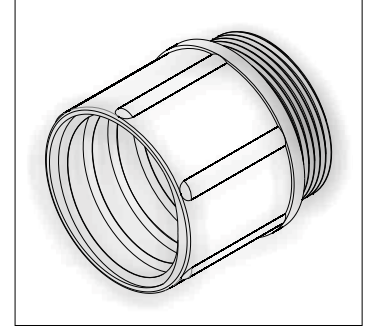
Halogen free

TACFLEX CONDUIT GLANDS FOR PVC SPIRALS

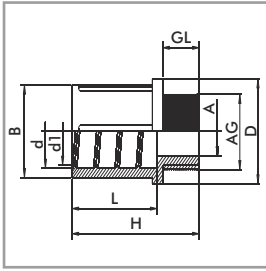


- Polyamide raw material
- Inserted directly to pvc spiral conduits
- Ensure safety usage
- Resistance to Ultraviolet rays
- Resistance to solvents and oils, low acids
- Connection thread norms (DIN 40430 / EN 60423)
- Gray (RAL 7001), L. Gray (RAL 7035) & Black (RAL 9005) color
- Ultraviolet resistance (black)
- Permanent heat resistant -30 °C + 80 °C

POLYAMIDE  
CONDUIT GLANDS  
FOR PVC SPIRALS



PVC SİRİRAL BORU RAKORLARI



- Hammaddesi : Polyamid  
Renk : RAL 7001 (Gri)  
RAL 7035 (A. Gri)  
RAL 9005 (Siyah)  
Bağlantı Dişi M : EN 60423  
Bağlantı Dişi PG : DIN 40430  
Koruma sınıfı : IP 40  
Çalışma sıcaklığı : -30 °C + 80 °C  
Kısa süreli ısıya direnci : +150 °C



METRIC/PG CONDUIT GLANDS

AG Thread	Gray Code RAL 7001	L. Gray Code RAL 7035	Black Code RAL 9005	A mm.	B mm.	D mm.	GL mm.	H mm.	L mm.	d mm.	d1 mm.
M 12 x 1,5	MHG 01	MHL 01	MHB 01	7	16	17,5	8	29	20	13,3	11,6
M 16 x 1,5	MHG 02	MHL 02	MHB 02	10	19	20	8	29	20	15,8	13,6
M 16 x 1,5	MHG 03	MHL 03	MHB 03	11	22,5	24	8	32	23	20	17,7
M 20 x 1,5	MHG 04	MHL 04	MHB 04	13	24,5	26	9	34	24	21,8	18,8
M 20 x 1,5	MHG 05	MHL 05	MHB 05	15	26	27,5	10	35	24	23,5	20,7
M 25 x 1,5	MHG 06	MHL 06	MHB 06	19	32	33,5	11	38	25,5	29,2	26,5
M 40 x 1,5	MHG 07	MHL 07	MHB 07	31,5	41	42	11	43	30,5	38	34,7
M 50 x 1,5	MHG 08	MHL 08	MHB 08	40,8	51,8	53	14	54	33	47,6	42,9
M 63 x 1,5	MHG 09	MHL 09	MHB 09	50	62	64	14	57	37	57,7	53,3
SPECIAL SIZE											
M 20 x 1,5	MHG 10	MHL 10	MHB 10	14,5	22,5	24	8	32	23	20	17,7
M 25 x 1,5	MHG 11	MHL 11	MHB 11	17,5	26	27,5	10	35	24	23,5	20,7
M 32 x 1,5	MHG 12	MHL 12	MHB 12	26,7	32	33,5	11	38	25,5	29,2	26,5
SPECIAL SIZE											
PG 7	OHG 01	OHL 01	OHB 01	7	16	17,5	8	29	20	13,3	11,6
PG 9	OHG 02	OHL 02	OHB 02	10	19	20	8	29	20	15,8	13,6
PG 11	OHG 03	OHL 03	OHB 03	13,5	22,5	24	8	32	23	20	17,7
PG 13,5	OHG 04	OHL 04	OHB 04	14	24,5	26	9	34	24	21,8	18,8
PG 16	OHG 05	OHL 05	OHB 05	16	26	27,5	10	35	24	23,5	20,7
PG 21	OHG 06	OHL 06	OHB 06	19	32	33,5	11	38	25,5	29,2	26,5
PG 29	OHG 07	OHL 07	OHB 07	31,6	41	42	11	43	30,5	38	34,7
PG 36	OHG 08	OHL 08	OHB 08	40,8	51,8	53	14	54	33	47,6	42,9
PG 48	OHG 09	OHL 09	OHB 09	51	62	64	14	57	37	57,7	53,3

PRODUCT RANGE OVERVIEW

IP 40

Halogen free

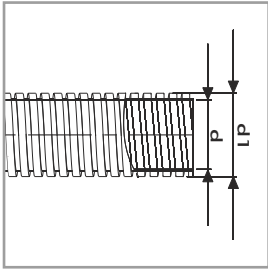


## TACFLEX METAL FLEXIBLE CONDUITS



- Galvanised & tin plate steel options
- Resistance against compression
- Long lasting corrosion
- Permanent operational temp. up to 220 °C

## FLEXIBLE SPIRAL CONDUITS METAL



### METAL SİRAL BORULAR

- Hammaddesi : Galvaniz & Kalay kaplı sac  
Sürekli ısıya direnci : +220 °C'ye kadar

### PRODUCT RANGE OVERVIEW

Code	d mm.	d1 mm.	Roll Length m.
OCS 7	7,5	10,5	50
OCS 9	9	12	50
OCS 11	11	14	50
OCS 13	13	15,5	50
OCS 14	14	17	50
OCS 16	16	19	50
OCS 18	18	21	50
OCS 21	21	24	50
OCS 26	26	30	25
OCS 29	29	33	25
OCS 32	32	36	25
OCS 35	35	39	25
OCS 37	37	41	25
OCS 40	40	44	25
OCS 42	42	46	25
OCS 45	45	49	25
OCS 51	51	55	25
OCS 55	55	59	25
OCS 60	60	64	25
OCS 63	63	67	25
OCS 75	75	80	25

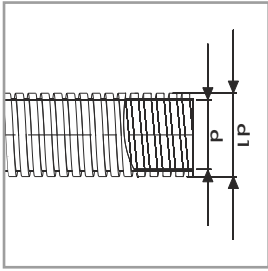


TACFLEX PVC COATED METAL FLEXIBLE CONDUITS



- Galvanised & tin plate steel options
- PVC coated
- Gray/Black color options
- Resistance against compression
- Long lasting corrosion
- Operational temp. -20 °C + 80 °C

FLEXIBLE  
SPIRAL CONDUITS  
PVC COATED METAL



PVC KAPLI METAL SİRAL BORULAR

- Hammaddesi : Galvaniz & Kalay kaplı sac  
Renk : Gri/Siyah  
Kaplama : PVC  
Sürekli ısıya direnci : -25 °C + 80 °C

PRODUCT RANGE OVERVIEW

Code	d mm.	d1 mm.	Roll Length m.
OPCS 7	7,5	11,5	50
OPCS 9	9	13	50
OPCS 11	11	15	50
OPCS 13	13	16,5	50
OPCS 14	14	18	50
OPCS 16	16	20	50
OPCS 18	18	22	50
OPCS 21	21	25	50
OPCS 26	26	31	25
OPCS 29	29	34	25
OPCS 32	32	37	25
OPCS 35	35	40	25
OPCS 37	37	42	25
OPCS 40	40	45	25
OPCS 42	42	47	25
OPCS 45	45	50	25
OPCS 51	51	56	25
OPCS 55	55	60	25
OPCS 60	60	65	25
OPCS 63	63	68	25
OPCS 75	75	83	25

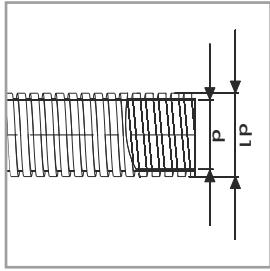
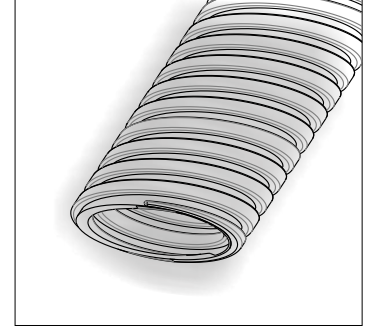


## TACFLEX HEAVYWEIGHT FLEXIBLE CONDUITS



- Galvanised & tin plate steel options
- PVC coated (hardness level is high)
- Resistance against compression
- Long lasting corrosion
- Operational temp. -25 °C + 80 °C

## FLEXIBLE SPIRAL CONDUITS HEAVYWEIGHT



### AĞIR HİZMET PVC KAPLI METAL SİRİAL BORULAR

- Hammaddesi : Galvaniz & Kalay kaplı sac  
Kaplama : PVC  
Sürekli ısıya direnci : -25 °C + 80 °C



### PRODUCT RANGE OVERVIEW

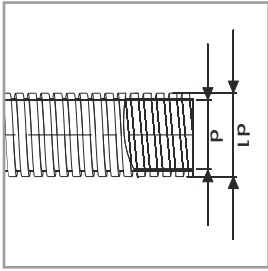
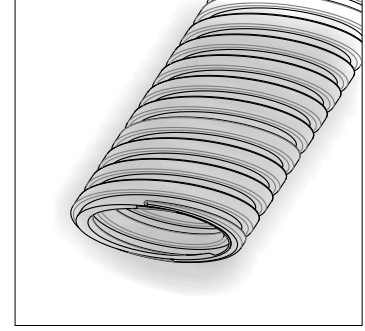
Code	d mm.	d1 mm.	Roll Length m.
LGT10	10	16	50
LGT13	13	18	50
LGT16	16	22	50
LGT21	21	27	50
LGT26	26	34	25
LGT35	35	43	25
LGT40	40	49	25
LGT51	51	62	25
LGT63	63	73	25
LGT78	78	90	25
LGT102	102	114	10

**TACFLEX TPV COATED METAL FLEXIBLE CONDUITS**



- Galvanised & tin plate steel options
- Thermoplastic vulcanizate coated
- Orange color
- Resistance against compression
- Has grades with very low conductivity
- Availability of flame retardant grades
- Resistant to most acids and bases
- Halogen free
- Operational temp. -25 °C + 80 °C

**FLEXIBLE  
SPIRAL CONDUITS  
TPV COATED**



**TPV KAPLI METAL SİRİAL BORULAR**

- Hammaddesi : Galvaniz & Kalay kaplı sac  
Renk : Turuncu  
Kaplama : Thermoplastic vulcanizate  
Sürekli ısıya direnci : -25 °C + 80 °C

**PRODUCT RANGE OVERVIEW**

Code	d mm.	d1 mm.	Roll Length m.
OPCHF 7	7,5	11,5	50
OPCHF 9	9	13	50
OPCHF 11	11	15	50
OPCHF 13	13	16,5	50
OPCHF 14	14	18	50
OPCHF 16	16	20	50
OPCHF 18	18	22	50
OPCHF 21	21	25	50
OPCHF 26	26	31	25
OPCHF 29	29	34	25
OPCHF 32	32	37	25
OPCHF 35	35	40	25
OPCHF 37	37	42	25
OPCHF 40	40	45	25
OPCHF 42	42	47	25
OPCHF 45	45	50	25
OPCHF 51	51	56	25
OPCHF 55	55	60	25
OPCHF 60	60	65	25
OPCHF 63	63	68	25
OPCHF 75	75	83	25

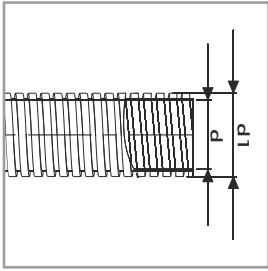
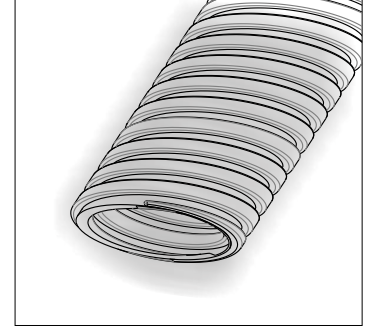
Halogen free



### TACFLEX FLEXIBLE CONDUITS -Steel wire over braiding- >>>>>>

- Galvanised steel
- Braiding over with stainless steel
- Resistance against compression
- Operational temp. up to +220 °C

## FLEXIBLE SPIRAL CONDUITS STEEL WIRE OVER BRAIDING



### ÇELİK TEL ÖRGÜLÜ METAL SİRAL BORULAR

- Hammaddesi : Galvaniz  
Örgü kaplaması : Paslanmaz çelik  
Sürekli ısıya direnci : +220 °C' ye kadar

### PRODUCT RANGE OVERVIEW

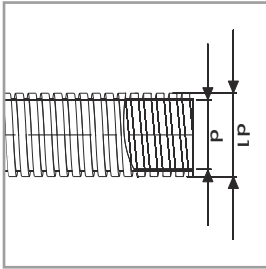
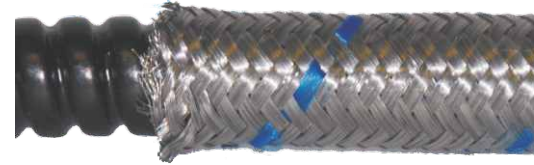
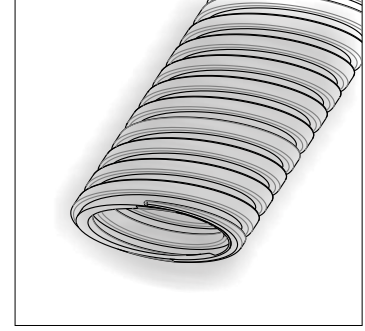
Code	d mm.	d1 mm.	Roll Length m.
CTS 9	9	14	50
CTS 11	11	16	50
CTS 13	13	17,5	50
CTS 16	16	21	50
CTS 21	21	26	50
CTS 26	26	32	25
CTS 35	35	41	25
CTS 40	40	46	25
CTS 51	51	57	25

**TACFLEX METAL FLEXIBLE CONDUITS**



- Galvanised main raw material
- Covered with 2 layers of raw materials
- 1st layer is PVC
- 2nd layer is stainless steel
- Resistance against compression
- Operational temp. -25 °C + 80 °C

**FLEXIBLE  
SPIRAL CONDUITS**  
STEEL WIRE OVER BRAIDING  
PVC COATED



**ÇELİK TEL ÖRGÜLÜ & PVC KAPLI  
METAL SİRİRAL BORULAR**

- Hammaddesi : Galvaniz  
1. kaplama : PVC  
2. kaplama : Paslanmaz çelik  
PVC Rengi : Siyah  
Sürekli ısıya direnci : -25 °C + 80 °C

**PRODUCT RANGE OVERVIEW**

Code	d mm.	d1 mm.	Roll Length m.
CTPS 9	9	15	50
CTPS 11	11	17	50
CTPS 13	13	18,5	50
CTPS 16	16	22	50
CTPS 21	21	27	50
CTPS 26	26	33	25
CTPS 35	35	42	25
CTPS 40	40	47	25
CTPS 51	51	58	25


**TACFLEX FLEXIBLE CONDUITS GLANDS**

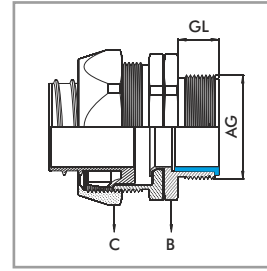
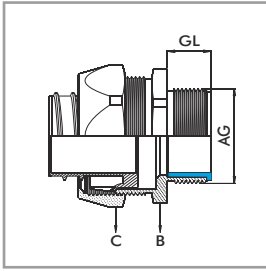

- Brass, nickel plated
- Liquid tight
- Fixed body & swivel body options
- Inserted to directly **TACFLEX** metal spiral conduit groups
- Connection thread norms (DIN 40430 / EN 60423)
- IP67 protection class
- Nitrile butadiene rubber (NBR O-ring)

## FLEXIBLE SPIRAL CONDUITS GLANDS

LIQUID TIGHT  
FIXED & SWIVEL

### AĞIR HİZMET SİRAL BORU RAKORU SABİT & DÖNER DİŞ

Hammaddesi	: Pirinç, nikel kaplı
Bağlantı dişi M	: EN 60423
Bağlantı dişi PG	: DIN 40430
Koruma sınıfı	: IP67
O-ring	: Nitril kauçuk



### FIXED/SWIVEL BODY

Code	AG Thread		Spiral Measure	GL mm.	B mm.	C mm.	
	PG	Metric					
LSRP 01	LSRM 01	PG 11	M 16 x 1,5	13	10	25	27
LSRP 02	LSRM 02	PG 16	M 20 x 1,5	16	10	28	30
LSRP 03	LSRM 03	PG 21	M 25 x 1,5	21	14	35	35
LSRP 04	LSRM 04	PG 29	M 32 x 1,5	26	15	45	45
LSRP 05	LSRM 05	PG 36	M 40 x 1,5	35	15	55	55
LSRP 06	LSRM 06	PG 42	M 50 x 1,5	40	15	60	65
LSRP 07	LSRM 07	PG 48	M 63 x 1,5	51	15	70	75
SWIVEL BODY							
LSRDP 01	LSRDM 01	PG 11	M 16 x 1,5	13	10	25	27
LSRDP 02	LSRDM 02	PG 16	M 20 x 1,5	16	10	28	30
LSRDP 03	LSRDM 03	PG 21	M 25 x 1,5	21	14	35	35
LSRDP 04	LSRDM 04	PG 29	M 32 x 1,5	26	15	45	45
LSRDP 05	LSRDM 05	PG 36	M 40 x 1,5	35	15	55	55
LSRDP 06	LSRDM 06	PG 42	M 50 x 1,5	40	15	60	65
LSRDP 07	LSRDM 07	PG 48	M 63 x 1,5	51	15	70	75

PRODUCT RANGE OVERVIEW

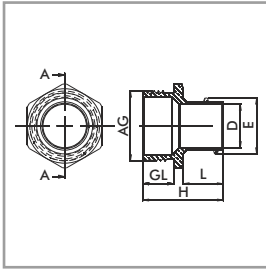
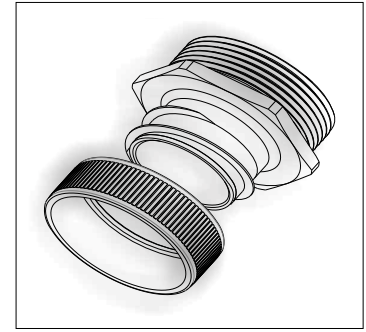
IP 67

**TACFLEX FLEXIBLE CONDUITS GLANDS**



- Brass, nickel plated
- Fixed Body
- Inserted to directly **TACFLEX** metal spiral conduit groups
- Connection thread norms (DIN 40430 / EN 60423)
- IP54 protection class
- Nitrile butadiene rubber (NBR O-ring)

**FLEXIBLE SPIRAL  
CONDUITS GLANDS  
FIXED BODY**



**SABİT DİŞ SPIRAL BORU RAKORU**

- Hammaddesi : Pirinç, nikel kaplı  
Bağlantı dişi M : EN 60423  
Bağlantı dişi PG : DIN 40430  
Koruma sınıfı : IP54  
O-ring : Nitril kauçuk

**METRIC/PG THREAD CABLE GLANDS**

PRODUCT RANGE OVERVIEW

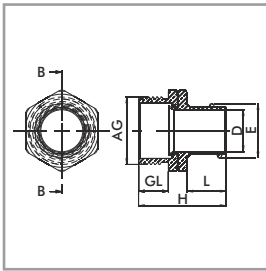
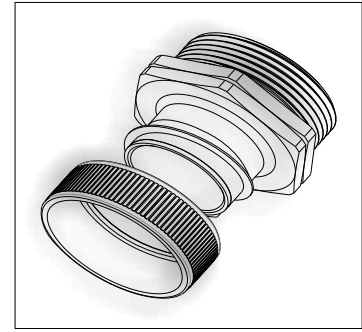
AG Thread	Code	H mm.	GL mm.	L mm.	D mm.	mm.	E mm.
M 12 x 1,5	MMR 12	24	8	13	6	15	7,5 x 11,5
M 16 x 1,5	MMR 16	24	8	13	7	20	9 x 13
M 16 x 1,5	MMR 116	26	10	13	9	20	11 x 15
M 20 x 1,5	MMR 20	26	10	13	12	22	14 x 18
M 20 x 1,5	MMR 120	26	10	13	14	22	16 x 20
M 25 x 1,5	MMR 25	27	10	13	18	28	21 x 25
M 32 x 1,5	MMR 32	31	12	15	26	35	29 x 34
M 40 x 1,5	MMR 40	36	14	17	33,5	45	37 x 42
M 50 x 1,5	MMR 50	36	14	17	39	55	42 x 47
M 63 x 1,5	MMR 63	36	14	17	46	65	51 x 56
PG 7	MPR 7	24	8	13	6	15	7,5 x 11,5
PG 9	MPR 9	24	8	13	7	17	9 x 13
PG 11	MPR 11	26	10	13	9	20	11 x 15
PG 13.5	MPR 13,5	26	10	13	12	22	14 x 18
PG 16	MPR 16	26	10	13	14	24	16 x 20
PG 21	MPR 21	27	10	13	18	30	21 x 25
PG 29	MPR 29	31	12	15	26	40	29 x 34
PG 36	MPR 36	36	14	17	33,5	50	37 x 42
PG 42	MPR 42	36	14	17	39	60	42 x 47
PG 48	MPR 48	36	14	17	46	65	51 x 56

IP 54


**TACFLEX FLEXIBLE CONDUITS GLANDS**


- Brass, nickel plated
- Swivel Body
- Inserted to directly **TACFLEX** metal spiral conduit groups
- Connection thread norms (DIN 40430 / EN 60423)
- IP54 protection class
- Nitrile butadiene rubber (NBR O-ring)

## FLEXIBLE SPIRAL CONDUITS GLANDS SWIVEL BODY


**DÖNER DIŞ SPIRAL BORU RAKORU**

- Hammaddesi : Pirinç, nikel kaplı  
 Bağlantı dişi M : EN 60423  
 Bağlantı dişi PG : DIN 40430  
 Koruma sınıfı : IP54  
 O-ring : Nitril kauçuk

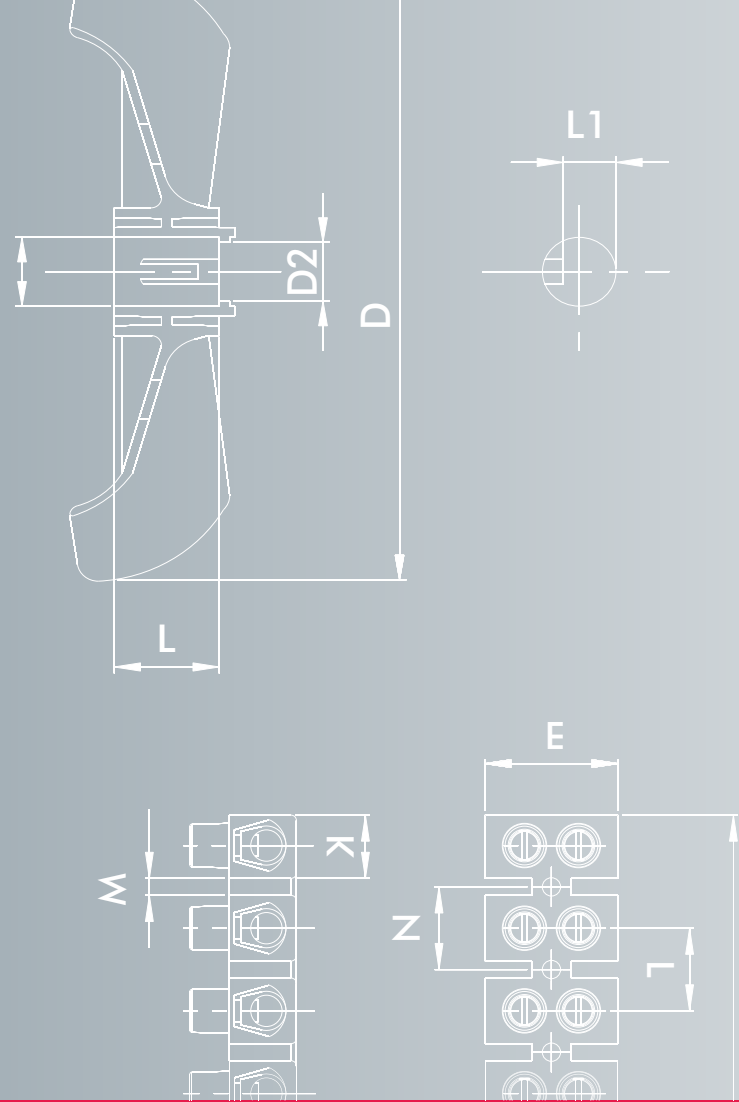
**METRIC/PG THREAD CABLE GLANDS**

AG Thread	Code	H mm.	GL mm.	L mm.	D mm.	mm.	E mm.
M 12 x 1,5	MDM 12	27	8	13	6	15	7,5 x 11,5
M 16 x 1,5	MDM 16	27	8	13	7	20	9 x 13
M 16 x 1,5	MDM 116	29	10	13	9	20	11 x 15
M 20 x 1,5	MDM 20	29	10	13	12	22	14 x 18
M 20 x 1,5	MDM 120	29	10	13	14	22	16 x 20
M 25 x 1,5	MDM 25	31	10	13	18	28	21 x 25
M 32 x 1,5	MDM 32	35	12	15	26	35	29 x 34
M 40 x 1,5	MDM 40	41	14	17	33,5	45	37 x 42
M 50 x 1,5	MDM 50	41	14	17	39	55	42 x 47
M 63 x 1,5	MDM 63	41	14	17	46	65	51 x 56
PG 7	MDP 7	27	8	13	6	15	7,5 x 11,5
PG 9	MDP 9	27	8	13	7	17	9 x 13
PG 11	MDP 11	29	10	13	9	20	11 x 15
PG 13.5	MDP 13,5	29	10	13	12	22	14 x 18
PG 16	MDP 16	29	10	13	14	24	16 x 20
PG 21	MDP 21	31	10	13	18	30	21 x 25
PG 29	MDP 29	35	12	15	26	40	29 x 34
PG 36	MDP 36	41	14	17	33,5	50	37 x 42
PG 42	MDP 42	41	14	17	39	60	42 x 47
PG 48	MDP 48	41	14	17	46	65	51 x 56

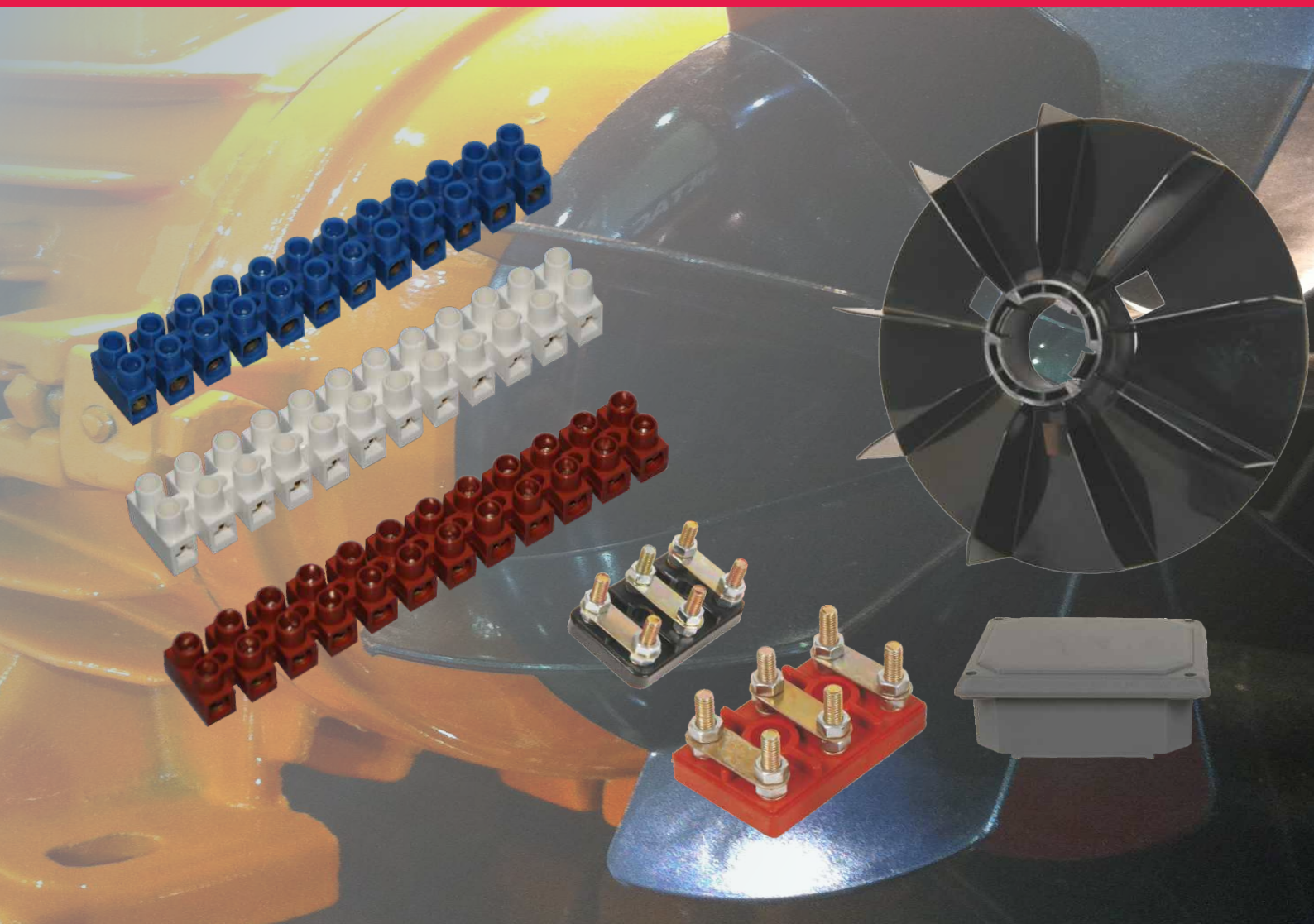
PRODUCT RANGE OVERVIEW

IP 54



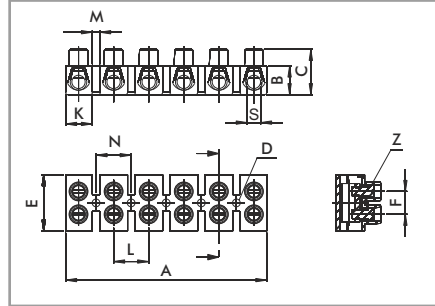


## OTHER PRODUCTS

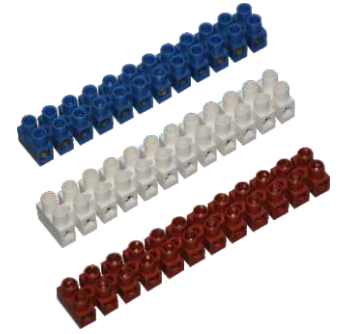


## ORTAC PLASTIC SCREW TERMINALS

EN	TR
<b>Material</b> : Polyamide Polycarbonate Polyethylene	<b>Hammaddesi</b> : Polyamid Polikarbonat Polietilen
<b>Inserts</b> : Brass, nickel plated	<b>İç bara</b> : Piriç, nikel kaplı
<b>Current rating</b> : EN 60988	<b>Akım kapasitesi</b> : EN 60988
<b>Voltage rating</b> : 400 V	<b>Gerilim</b> : 400 V

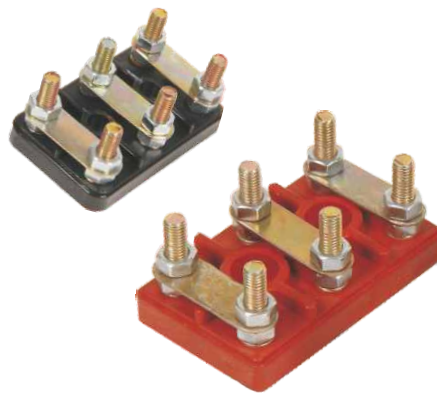
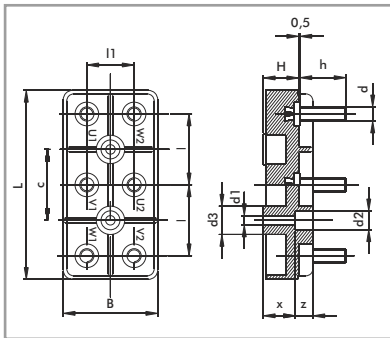


## SIRA KLEMENSLER



Type	Size	Number of ways	A mm.	B mm.	C mm.	D mm.	E mm.	F mm.	K mm.	L mm.	M mm.	N mm.	S mm.	Z mm.
2,5 - 4 mm	01	12	121	8,9	14	3,2	17	7,8	7	10	3	10	3,5	M 3
4 - 6 mm	02	12	137	10,6	16	3,3	19	9	8,7	11,6	3	11,6	4,2	M 3,5
6 - 10 mm	03	10	148	12,8	20,5	4,2	22	10,5	11	15,3	3,8	15,3	5,4	M 4
10 - 16 mm	04	6	109	15,5	24,5	4,2	30,5	12,4	14,6	19	4	19	7	M 5

## MOTOR KLEMENSLERİ



## ORTAC WIRE CONNECTORS

EN	TR
<b>Material</b> : Polyamide V0 + Glass fibre reinforced	<b>Hammaddesi</b> : Polyamid V0 + Cam elyaf katkılı
<b>Colour</b> : Brown Black	<b>Renk</b> : Kahverengi Siyah
<b>Permanent operational temp.</b> : -40 + 100 °C	<b>Sürekli ısıya direnci</b> : -40 + 100 °C
<b>Short term max. operational temp.</b> : +150 °C	<b>Kısa süreli ısıya direnci</b> : +150 °C

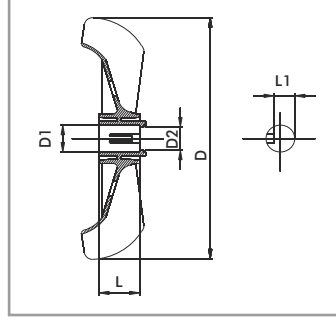
Type	Brown Code	Black Code	L mm.	B mm.	H mm.	I mm.	I1 mm.	c mm.	d mm.	h mm.	x mm.	z mm.	d1 mm.	d2 mm.	d3 mm.
56 - 63	MKE 01	MK 01	40	25	8,5	15	15	15	M 4	15	4	6	4,5	8	11
71 - 80	MKE 02	MK 02	50	30	8,5	20	20	20	M 4	15	4	7,5	6,3	10,5	14,8
132	MKE 03	MK 03	60	37	10	23	23	23	M 5	19	6,5	7,5	6,3	10,5	14,8
160 - 180	MKE 04	MK 04	72	44	12	28	28	28	M 6	24	8,5	7,5	6,5	10,5	15,8
225 - 250	MKE 05	MK 05	91	56	12,5	35	35	35	M 8	28	10	7,5	6,5	10,5	15,8
280	MKE 06	MK 06	115	70	15,5	45	45	45	M 10	34	10,5	11	9,5	15,5	21,8

## MOTOR ACCESSORIES

### MOTOR PERVANELERİ

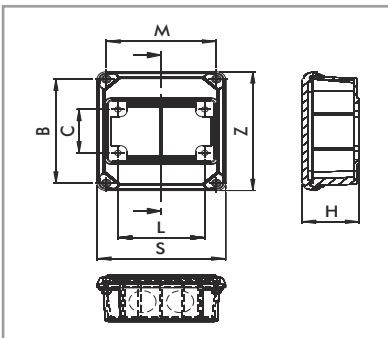
#### ELECTRICAL MOTOR PROPELLERS

EN	TR
<b>Material</b> : Polyamide	<b>Hammaddesi</b> : Polyamid
<b>Colour</b> : Black	<b>Renk</b> : Siyah
<b>Permanent operational temp.</b> : -40 + 100 °C	<b>Sürekli ısıya direnci</b> : -40 + 100 °C
<b>Short term max. operational temp.</b> : +150 °C	<b>Kısa süreli ısıya direnci</b> : +150 °C



Type	Code	D mm.	D1 mm.	D2 mm.	L mm.	L1 mm.
63	ORT 02	95	11	9,4	18,5	8,7
71	ORT 03	129	14	12	20	11,2
80	ORT 04	146	19	17	22	15,7
90	ORT 05	140	24	22	24	20,7
100 - 112	ORT 06	165	28	25,6	24	24,7
132	ORT 07	200	38	35,6	32	34,3
160	ORT 08	250	42	39,2	34	38,3
180	ORT 09	270	48	44,5	36	43,6
200 - 225	ORT 10	300	57	53,8	44	52,8
200 - 225	ORT 11	300	62	58,8	44	57,8

### MOTOR KLEMENSİ KUTULARI



#### TERMINAL BOXES

EN	TR
<b>Material</b> : Polyamide	<b>Hammaddesi</b> : Polyamid
<b>Colour</b> : Gray Black	<b>Renk</b> : Gri Siyah
<b>Permanent operational temp.</b> : -40 + 100 °C	<b>Sürekli ısıya direnci</b> : -40 + 100 °C
<b>Short term max. operational temp.</b> : +150 °C	<b>Kısa süreli ısıya direnci</b> : +150 °C

Type	Gray Code	Black Code	Z mm.	S mm.	H mm.	L mm.	C mm.	M mm.	B mm.
56 - 63	PMK 01	PMKS 01	95,5	82,5	44	50	50	69	82
71 - 80 - 90	PMK 02	PMKS 02	103,5	93	49	55	55	77,5	88
100 - 112	PMK 03	PMKS 03	125,5	109	49	74	46	93,7	110
132	PMK 04	PMKS 04	143,5	127,5	56	92	46	112	128
160 - 180	PMK 05	PMKS 05	165	170	65	130,5	80	155	155

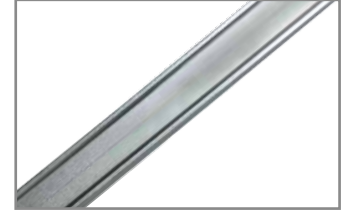
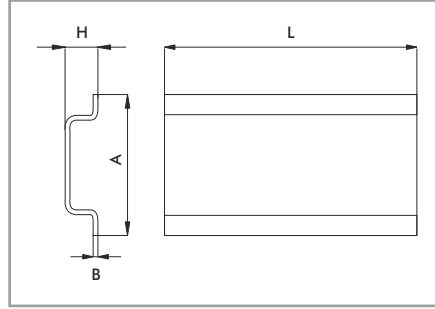
## ASSEMBLY RAILS

## FLAT SHEET / KAPALI TİP



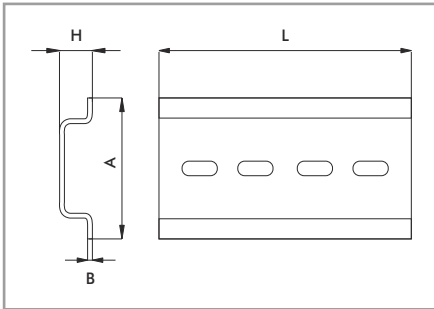
## KAPALI TİP MONTAJ RAYI

EN	TR
<b>Material</b> : Cold Rolled steel (DKP)	<b>Hammaddesi</b> : Soğuk haddelenmiş sac (DKP)
<b>Plating</b> : Chrome +3 White	<b>Kaplama</b> : Krom +3 Beyaz



Code	A mm.	H mm.	B mm.	L cm.
R75K30B	35	7,5	1,0	30
R75K100B	35	7,5	1,0	100
R75K200B	35	7,5	1,0	200
R75K300B	35	7,5	1,0	300

## DELİKLİ TİP MONTAJ RAYI



## PERFORATED SHEET / DELİKLİ TİP

EN	TR
<b>Material</b> : Cold Rolled steel (DKP)	<b>Hammaddesi</b> : Soğuk haddelenmiş sac (DKP)
<b>Plating</b> : Chrome +3 White	<b>Kaplama</b> : Krom +3 Beyaz

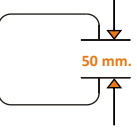

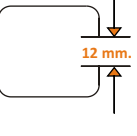
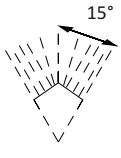
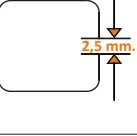
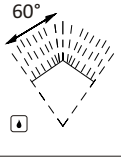
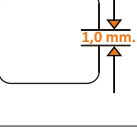

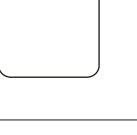
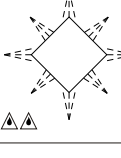
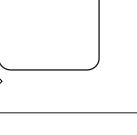
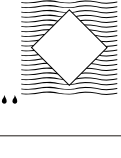
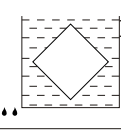
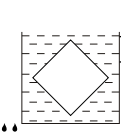
Code	A mm.	H mm.	B mm.	L cm.
R75D30B	35	7,5	1,0	30
R75D100B	35	7,5	1,0	100
R75D200B	35	7,5	1,0	200
R75D300B	35	7,5	1,0	300

## KORUMA SINIFLARI / PROTECTION CLASS (IP)

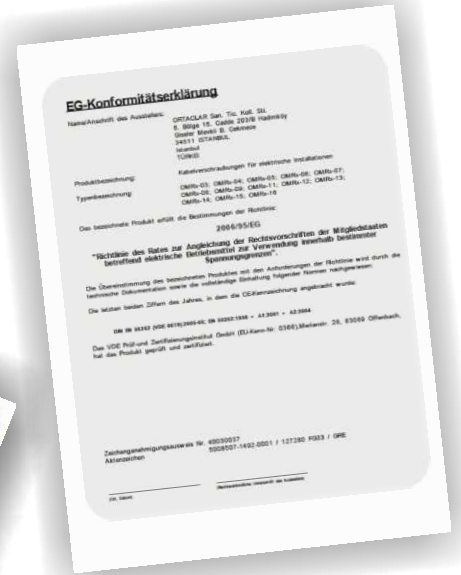
IP 68 = IP Letter Code .....

1. Hane/Digit ..... 6

2. Hane/Digit ..... 8

1. HANE DIGIT	Katı Cisimlere Karşı Koruma Değerleri <i>Protection From Solid Objects</i>	2. HANE DIGIT	Sıvı Maddele Karşı Koruma Değerleri <i>Protection From Liquid Objects</i>
0	Korumasız/ <i>No protection</i>	0	Korumasız/ <i>No protection</i>
1	 50 mm'den büyük katı cisimlere karşı korumalı <i>Protection against solid objects greater than 50mm in diameter</i>	1	 Damlayan suya karşı korumalı <i>Protection from dripping water</i>
2	 12 mm'den büyük katı cisimlere karşı korumalı <i>Protection against solid objects greater than 12mm in diameter</i>	2	 15° 15 dereceye kadar damlayan su <i>Protection from vertically dripping water tilted up to 15°</i>
3	 2,5 mm'den büyük katı cisimlere karşı korumalı <i>Protection against solid objects greater than 2,5mm in diameter</i>	3	 60° 60 dereceye kadar damlayan su <i>Protection from vertically dripping water 60°degree angle</i>
4	 1,0 mm'den büyük katı cisimlere karşı korumalı <i>Protection against solid objects greater than 1,0mm in diameter</i>	4	 Sıçrayan suya karşı korumalı <i>Protection from splashed water</i>
5	 Toza karşı korumalı <i>Protection from amount of dust that would interfere with the operation of the equipment</i>	5	 Su püskürtmesi <i>Protected against low-pressure jets from all directions - limited ingress permitted</i>
6	 Toz geçirmez <i>Dust - tight</i>	6	 Şiddetli deniz dalgası <i>Protection against heavy seas, or powerful jets of water</i>
		7	 15 m. - 1 m. Suya daldırma <i>Protection against effects of immersion from 15cm. to 1m.</i>
		8	 1 m. + Su altında bırakma <i>Protection against the ingress of water form all directions even under greatly high pressure on the housing</i>

# CERTIFICATES



EN 60423

VG 88812

VG 88773

DIN 40430

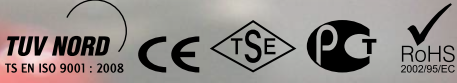
DIN 46320

EN 50262

DIN 89280

TS EN 61386





**ORTAC®**

**CABLE PROTECTION, SUPPORT  
&  
CONNECTION SYSTEMS**



6. Bölge 16. Cadde 203/B  
Hadımköy Gişeler Mevkii B.Çekmece/İSTANBUL  
Tel .: +90 212 858 19 00 pbx Fax : +90 212 858 19 59  
www.ortacler.com sales@ortacler.com.tr

## Ortac Cable Glands

6. Bölge 16. Cadde 203/B

Hadımköy Gişeler Mevkii

B.Çekmece - İSTANBUL

Tel : ☎ +90 (212) 858 19 00 pbx.

Fax : 📠 +90 (212) 858 19 59

E-mail : @ sales@ortaclar.com.tr

Web site : 🌐 www.ortaclar.com

