



**FACTS**

- Outer diameter: max. 80 mm
- Inner diameter: max. 30 mm
- Rings with 3 A or 16 A can be combined
- Special design possible
- Fieldbusses
- Fast Ethernet (certified to 100-BaseT CAT5e & Cat6)

**APPLICATION EXAMPLES**

- Beverage Filling System • Drain Inspection • Food Processing

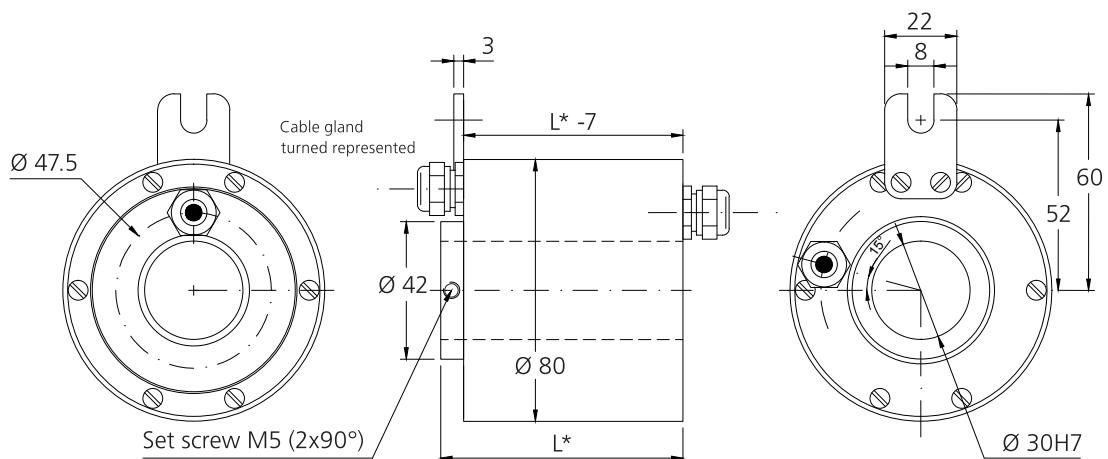


6-Pole version (Design example)

**DATA**

Number of rings: max. 24  
 Current per ring: 24 rings with 3 A or 12 rings with 16 A  
 Voltage: max. 400 V<sub>AC</sub>  
 Dielectric strength: 2000 V<sub>AC</sub>  
 Insulation resistance: >500 MΩ at 500 V<sub>DC</sub>

Rotation speed: max. 250 rpm  
 Protection class: IP54  
 Operating temperature: -20 °C ... +80 °C  
 Electrical connection: 1000 mm flying leads  
 Housing material: Aluminium



Number of rings	2	3	4	6	9	12	18	24
Power (L*)	54	64	74	94	124	144	-	-
Signal (L*)	54	-	54	64	-	84	114	154



SLIP RING  
SC080



## ORDER INFORMATION

Type of slip ring.

S	C	0	8	0
---	---	---	---	---

No. of rings with:

max. 3 A  
max. 16 A


Voltage


Standard: max. 24  
Standard: max. 12

Length of leads in mm: Rotor  
Stator


Standard: 1000 mm  
Standard: 1000 mm

Inner diameter in mm:

--	--

Standard: 30 mm

Stated values are standard. Other configurations are available on request.  
Subject to change without prior notice. Issued 08/2019

**LTN Servotechnik GmbH**  
Georg-Hardt-Straße 4  
83624 Otterfing, Germany  
Tel: +49 (0)8024 6080-0  
Fax: +49 (0)8024 6080-1000  
ltn@ltn.de  
www.ltn-servotechnik.de