

# INDUCTIVE SENSOR **LVDT**



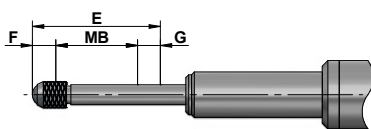
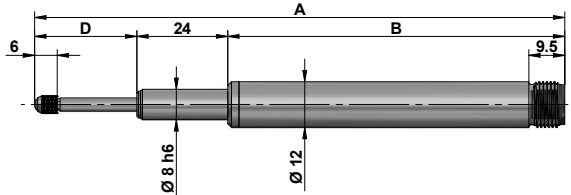
## LV SERIES

### Key-Features:

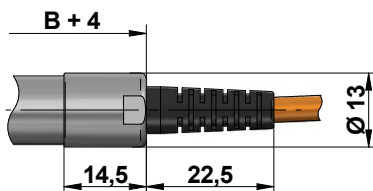
- Measurement range: 2, 5, 10 and 25 mm
- Linearity:  $\pm 0.2\%$ , optional  $\pm 0.1\%$
- Resolution:  $< 1\ \mu\text{m}$
- Operating temperature:  $-40\dots+125\ ^\circ\text{C}$ ,  
optional up to  $+180\ ^\circ\text{C}$
- Spring return and bellow
- Connection: Connector M12 or cable
- Protection class IP65, optional IP67
- Housing: Stainless steel
- External electronic: Output  $0\dots 10\ \text{V} / 4\dots 20\ \text{mA}$ ,  
Power supply  $18\dots 36\ \text{VDC}$

## TECHNICAL DRAWING

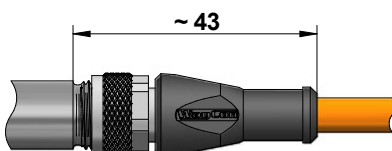
Version without bellow (Version T)



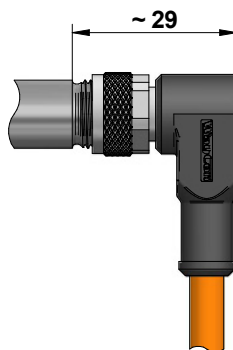
cable output



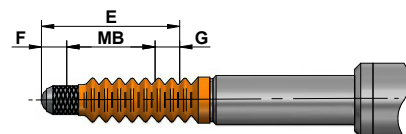
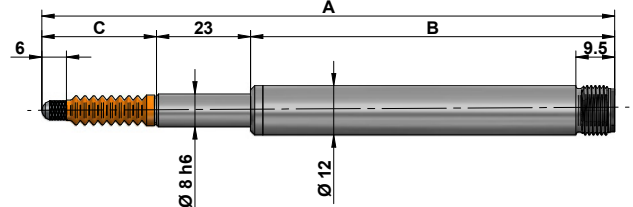
connector with cable, straight



connector with cable, angular



Version with bellow (Version TF)



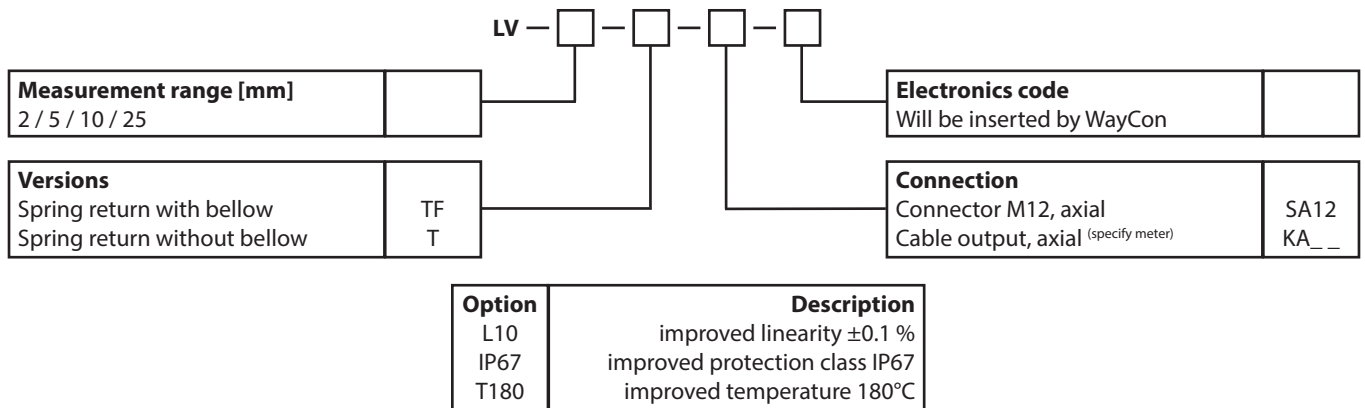
measurement range MB	2	5	10	25
A	113	126	140	191.5
B	69	79	89	132.5
C	21	24	28	-
D	20	23	27	36
E (total stroke)	5	8	12	29
F (start stroke)	1.5	1.5	1	2
G (end stroke)	1.5	1.5	1	2

## TECHNICAL DATA LV

Measurement range [mm]	2	5	10	25	Connection	connector M12, axial or cable, axial, (TPE cable, standard 2 m)
Linearity <sup>1)</sup>	±0.2 %				Excitation voltage	1...10 V <sub>eff</sub>
Improved linearity (optional) <sup>1)</sup>	±0.1 %				Excitation frequency	2...10 kHz
Resolution	<1 µm		< 2 µm		Protection class	IP65 (optional: IP67)
Sensitivity [mV/V/mm]	68	74	64	41	Working temperature	-40...+125 °C / optional: -40...+180 °C
Calibrated with	3 V <sub>eff</sub> / 5 kHz				Temperature drift <sup>1)</sup>	±0.02 %/K
Mounting	clamping: Ø 8 h6 or housing: Ø 12				Housing	stainless steel

<sup>1)</sup> with regard to measurement range

## ORDER CODE LV

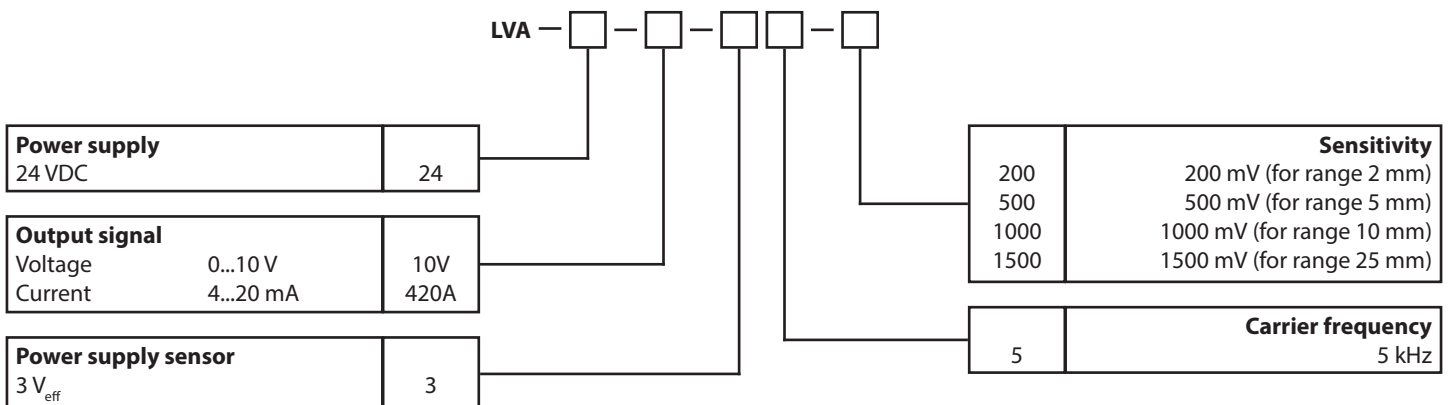


## TECHNICAL DATA ELECTRONIC LVA

Output		0...10 V / 4...20 mA
Power supply	[VDC]	18...36
Isolation voltage	[VDC]	500
Insulation resistance		1 GΩ / 500 VDC
Cut-off frequency	[Hz]	1000
Power supply		3 V <sub>eff</sub> / 5 kHz
Working temperature	[°C]	-20...+85
Storage temperature	[°C]	-20...+85
Temperature drift	[%/K]	±0.02
Mounting		DIN EN mounting rail
Housing		Polyamid PA6.6, fulfills UL94-V2



## ORDER CODE ELECTRONIC LVA



Subject to change without prior notice.

**WayCon Positionsmesstechnik GmbH**  
email: info@waycon.de  
internet: www.waycon.biz

**Head Office**  
Mehlbeerstr. 4  
82024 Taufkirchen  
Tel. +49 (0)89 67 97 13-0  
Fax +49 (0)89 67 97 13-250

**Office Köln**  
Auf der Pehle 1  
50321 Brühl  
Tel. +49 (0)2232 56 79 44  
Fax +49 (0)2232 56 79 45